

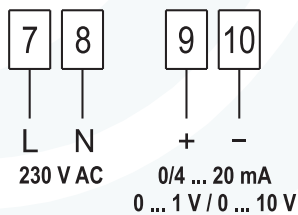
## Appliance information

### Image EI 7412

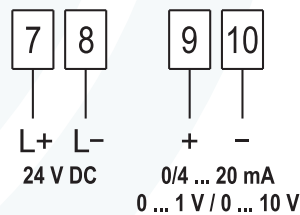


### Electrical connection input

#### 230 V AC

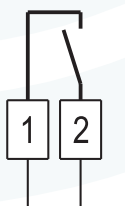


#### 24 V DC



### Electrical connection output

250 VAC, max. 8 A



Relay output  
alarm set value

250 VAC, max. 8 A



Relay output  
nominal value

### Use

Level indication for continuous level measurement devices of the series MOLOSbob and MOLOSwave.

With 2 adjustable relay outputs for e.g. **demand** or **empty** (alarm).

The devices are intended for mounting into switchboards or housings.

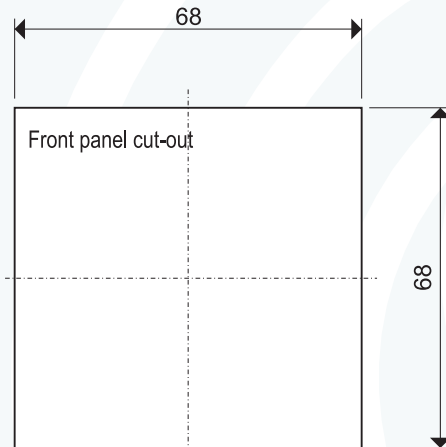
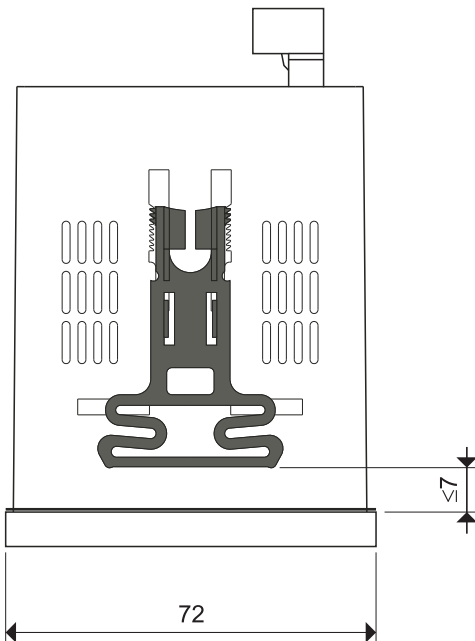
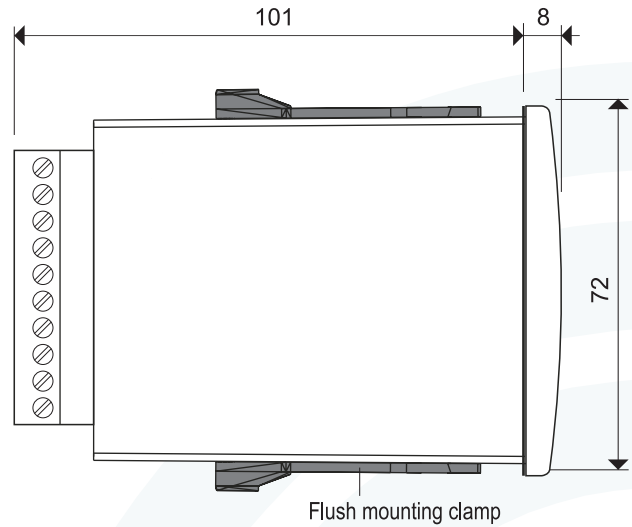
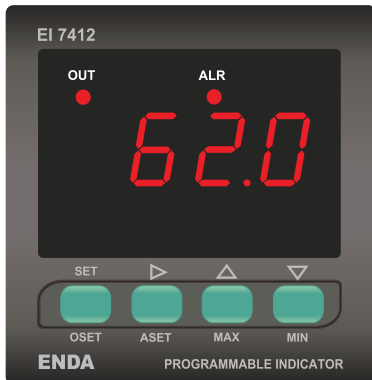
### Features

- Adjustable scale from -1999 to 4000
- Adjustable decimal point
- 2 relay adjustable as nominal value or alarm set value
- Protection of parameters
- HOLD function
- MIN/MAX storage
- Mounting at front plate
- Slip-on connection terminal block

### Technical data

Indication	7 segment LED display, red
Character height	14,2 mm
Indication scale	-1999 ... 4000
Digits	4
Measuring range	0 ... 20 mA / 4 ... 20 mA 0 ... 1 V / 0 ... 10 V
Supply voltage	<b>Supply</b> C1 230 V AC 50/60 Hz C5 24 V DC +10%/-10%
Power consumption	max. 7 VA
Electrical connection	slip-on connection terminal block up to 2,5 mm <sup>2</sup>
Relay outputs	8 A at 250 V AC - NO 1x nominal value and 1x alarm set value
Kind of regulation	On-off regulation
Hysteresis	1 ... 200 adjustable
Temperature range	<b>Ta</b> 0 °C ... +50 °C
Relative humidity	≤ 31 °C up to 80 % 31 ... 50 °C decreasing linearly to 50%
Protection type	Front side <b>IP</b> <b>IP65</b> according DIN EN 60529 Back side <b>IP20</b>
Material	Housing self-extinguishing
Dimensions	B72 x H72 x T101 mm
Mounting	Flush-panel mounting acc. DIN 43700
Mounting position	any
Thickness of front panel	max. 7 mm
Front panel cut-out	68 x 68 mm
Weight	350 g incl. packaging
Maintenance	none

## Dimensions



Provide additional space for connecting cables at the backside of the device.

For mounting and dismantling of the device there is minimum 60 mm free space at the backside of the device required.

## Indication and operating elements



	Operating mode	Programming mode
<b>OUT</b>	Out status indication	
<b>ALR</b>	Alarm status indication	
<b>LED display</b>	Measuring values Dimensions	Parameter description Parameter value
<b>SET/OSET</b>	Nominal value	Parameter setting
<b>▶ ASET</b>	Alarm set value	Menu selection
<b>▲ MAX</b>	Indication Max. hold value	Parameter selection Value increasing
<b>▼ MIN</b>	Indication Min. hold value	Parameter selection Value decreasing