

Level measurement

Guided wave radar **MOLOS**
wave **1**

Yo-Yo sensing systems **MOLOS**
bob **2**

Visualization **MOLOS**
visu **3**

Rotation **MOLOS**
roto **4**

Membrane **MOLOS**
membran **5**

Level indicator

Vibration **MOLOS**
vibro **6**

Microwave barrier **MOLOS**
barrier **7**

Pendulum **MOLOS**
pendu **8**

Coding **MOLOS**
code **9**

Limit switch **MOLOS**
switch **10**

Hose couplings

Swivelling lever **MOLOS**
swing **11**

Lockable couplings **MOLOS**
lock **12**

Overload protection **MOLOS**
safe **13**

Silo filling device **MOLOS**
safe **14**

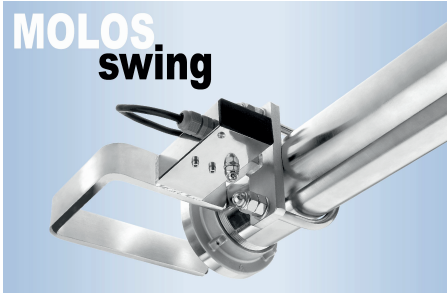
Bulk solids handling

Pressure device **MOLOS**
pressdec **15**

Microwave flow sensor **MOLOS**
flow **16**

Pinch valves **MOLOS**
valve **17**

MOLOS
swing

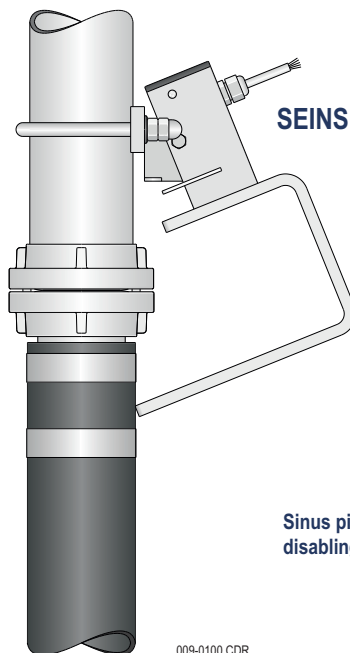
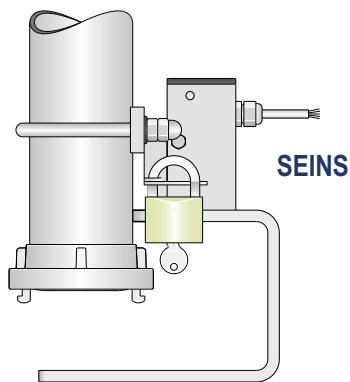


Advantages of swivelling lever with limit switch:

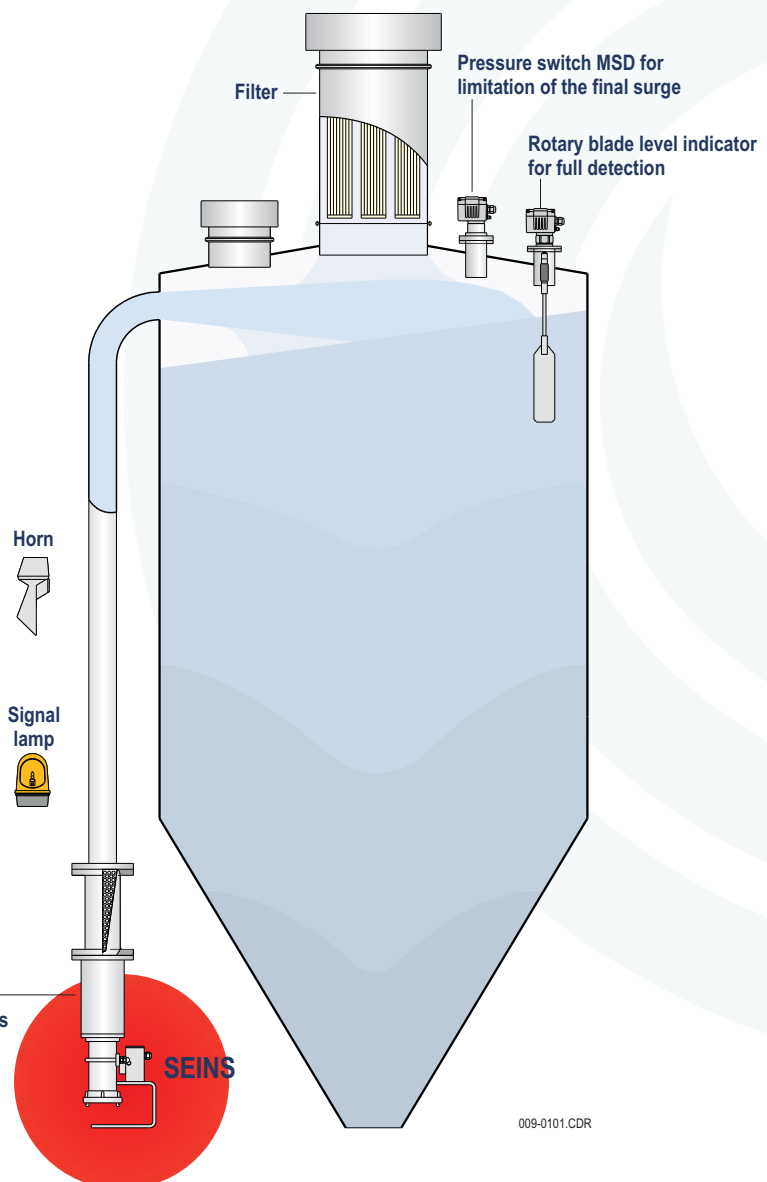
- secure signal when coupling of silo and tank vehicles
- robust design avoids damaging of the switch
- switch is insensitive against dirt
- switches mechanical SES, inductive SIS or acc. NAMUR standard SNS
- blind couplings do not operate the limit switch

Robust switch on of control for the automatic silo filling process.

(Filter purification, full indication, limitation of the final surge, locking valve of filling pipe and signal generator)



009-0100.CDR



11

Selection list

SES mechanical limit switch

SIS inductive limit switch

SNS inductive limit switch
NAMUR

ATEX option

B0 **Dust**  II 3D IIIB

ATEX option

B0 **Dust**  II 3D IIIB

ATEX option

B6 **Gas**  II 2G IIB
Dust and II 2D IIIB

Basic device

Choice of options

Switch

- E** Limit switch with mechanical contact
- I** Inductive limit switch 10...30 V DC
- N** Inductive limit switch NAMUR



Nominal size, diameter of tube

- 065** for tube Ø 76.1
- 080** for tube Ø 88.9
- 100** for tube Ø 108 ... 114.3
- 125** for tube Ø 133 ... 139.7
- 150** for tube Ø 159 ... 168.3

Cable length mechanical limit switch

- 5** Cable of 5 meters
- 0** Cable of 10 meters

Certifications, approvals for SES



- Standard** =  conform IP67
- B0** ATEX  II 3D IIIB

S E S - - - ← Order code

Cable length inductive limit switch

- 2** Cable of 2 meters

Certifications, approvals for SIS



- Standard** =  conform IP68
- B0** ATEX  II 3D IIIB

S I S - - - 2 ← Order code

Cable length inductive limit switch NAMUR

- 5** Cable of 5 meters
- 0** Cable of 10 meters

Certifications, approvals for SNS

- CE** conform IP68
- B6** ATEX  II 2G IIB
- and  II 2D IIIB

S N S - - - B6 ← Order code

KS-VS025-G ← Padlock, keyed alike

KS-VS025-U ← Padlock, keyed different

We provide deliveries, services and offers exclusively on the basis of our General Terms and Conditions that are available for viewing and download at www.mollet-level.com.

