

Appliance information

Illustration side view

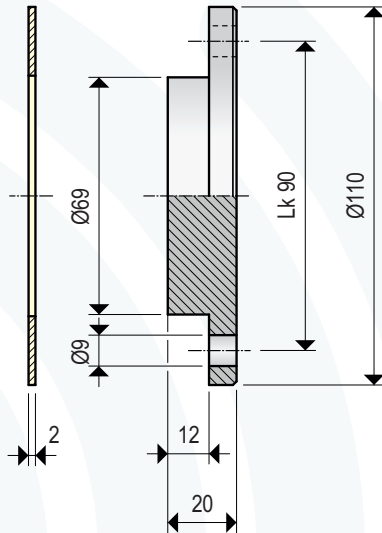
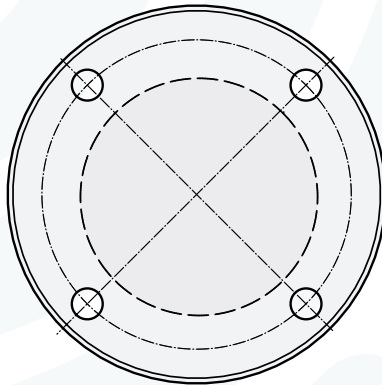


Illustration top view



Use

For visual level control in silos, bins, hoppers and containers.

Technical equipment

- including seal ring
- packaging unit 8 pieces

Technical data

Material	Inspection window	Makrolon, crystal clear
	Seal ring	NBR, white
Weight		154 g / peace incl. sela ring
Maintenance		none

