

Inclination sensor

X/Y/Z direction, -45 ... +45°

Model N2101

WIKA data sheet FO 59.04

Applications

- Crane systems
- Mobile cranes
- Ship cranes
- Aerial platforms
- Solar collectors

Special features

- Measuring range freely selectable between -45 ... +45°
- Relative linearity error < 0.1 % of FS over the entire measuring range
- Good damping behaviour, no gravitational acceleration error
- Resistant to seawater, IP67
- 2 axes freely selectable

Description

The two directions of rotation can be selected freely (X, Y, Z direction) in this inclination sensor. They detect the orientation angle of an object in relation to the gravitational field of the earth.



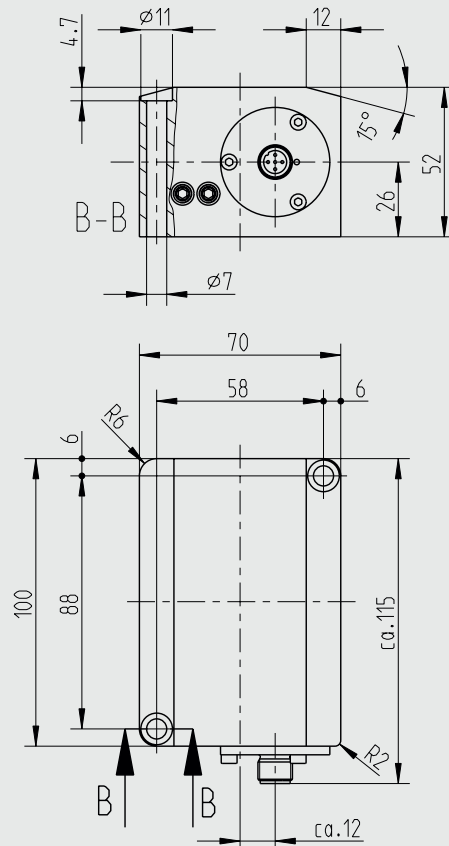
Inclination sensor, model N2101

The sensor has a measuring range of max. -45 ... +45° and offers an extraordinarily high accuracy and precision over the entire measuring range. The measured value resolution is 0.01°.

Specifications

Model N2101	
Measuring range	Different measuring ranges freely selectable up to max. $-45 \dots +45^\circ$ 2 axes freely selectable (X, Y, Z direction)
Relative linearity error d_{lin} ■ within measuring range $-10 \dots +10^\circ$ ■ from measuring range $-10 \dots +10^\circ$	< 0.05° < 0.1°
Relative reversibility error v ■ within measuring range $-10 \dots +10^\circ$ ■ from measuring range $-10 \dots +10^\circ$	< 0.03° < 0.05°
Resolution	< 0.01°
Transverse inclination error ■ $\leq 10^\circ$ ■ $\leq 45^\circ$	< 0.05° < 0.2°
Service temperature $B_{T, G}$	$-40 \dots +80^\circ\text{C}$
Temperature effect on ■ the characteristic value TK_C ■ the zero signal TK_0	0.0016 % of FS/K 0.0016 % of FS/K
Electrical connection	Cable, MIL, M12 x 1 (others on request)
Output signal (rated characteristic value) C_{nom}	2 x 4 ... 20 mA (3-wire)
Voltage supply	DC 9 ... 36 V
Material of the measuring body	Aluminium, resistant to seawater
Salt spray testing	DIN EN 60068-2-52
Ingress protection (per IEC/EN 60529)	IP67
EMC	61326-1 IEC:2012, DIN EN 61000-4 Part 2, Part 3, Part 4, Part 6, Part 8, Part 9, Part 10; DIN ISO 7637 Part 2, DIN ISO 11452 Part 2, Part 4, Part 5; DIN EN 55025 Part 6.3, Part 6.4

Dimensions in mm



Pin assignment

Cable assignment 2 x 4 ... 20 mA, 3-wire	
Cable colour	Signal
Red	UB+
Black	0V/S-
White	S+ (signal 1)
Blue	S+ (signal 2)

Circular connector M12 x 1, 2 x 4 ... 20 mA, 3-wire, 4-pin		
Pin	Colour	Signal
1	Brown	UB+
3	Blue	0V/S-
4	Black	S+ (signal 1)
2	White	S+ (signal 2)
M12 x 1	Shield ⊕	Shield ⊕

MIL, pinout CA3102E14S-2P-B-A232	
Pin	Signal
A	UB+
B	S+ (channel x)
C	0V/S-
D	S+ (channel Y)

© 2019 WIKA Alexander Wiegand SE & Co. KG, all rights reserved.
 The specifications given in this document represent the state of engineering at the time of publishing.
 We reserve the right to make modifications to the specifications and materials.

