

Wire rope force transducer, model F9204

EN

Seilkraftaufnehmer, Typ F9204

DE



Example: Model F9204, mounted on wire rope

<b>EN</b>	<b>Operating instruction models F9204</b>	<b>Page</b>	<b>3 - 22</b>
-----------	---	-------------	---------------

<b>DE</b>	<b>Betriebsanleitung Typ F9204</b>	<b>Seite</b>	<b>23 - 43</b>
-----------	------------------------------------	--------------	----------------

© 04/2020 WIKA Alexander Wiegand SE & Co. KG

All rights reserved. / Alle Rechte vorbehalten.

WIKA® and tecsis® are registered trademarks in various countries.

WIKA® and tecsis® sind geschützte Marken in verschiedenen Ländern.

Prior to starting any work, read the operating instructions!

Keep for later use!

Vor Beginn aller Arbeiten Betriebsanleitung lesen!

Zum späteren Gebrauch aufbewahren!

# Contents

<b>1. General information</b>	<b>4</b>
<b>2. Design and function</b>	<b>5</b>
2.1 Overview . . . . .	5
2.2 Description . . . . .	6
2.3 Scope of delivery . . . . .	6
<b>3. Safety</b>	<b>6</b>
3.1 Explanation of symbols . . . . .	6
3.2 Intended use . . . . .	7
3.3 Improper use . . . . .	7
3.4 Personnel qualification . . . . .	8
3.5 Responsibility of the operator . . . . .	8
3.6 Personal protective equipment . . . . .	9
3.7 Labelling, safety marks . . . . .	9
<b>4. Transport, packaging and storage</b>	<b>10</b>
4.1 Transport . . . . .	10
4.2 Packaging and storage . . . . .	10
<b>5. Commissioning, operation</b>	<b>11</b>
5.1 Mounting preparation . . . . .	11
5.2 Mounting instructions . . . . .	11
5.3 Mounting the wire rope force transducer . . . . .	13
5.4 Commissioning the wire rope force transducer . . . . .	15
5.5 Electrical connection. . . . .	15
<b>6. Faults</b>	<b>16</b>
<b>7. Maintenance and cleaning</b>	<b>17</b>
7.1 Maintenance . . . . .	17
7.2 Cleaning . . . . .	17
<b>8. Dismounting, return and disposal</b>	<b>18</b>
8.1 Dismounting . . . . .	18
8.2 Return. . . . .	18
8.3 Disposal . . . . .	18
<b>9. Specifications</b>	<b>19</b>
<b>10. Annex: EU declaration of conformity</b>	<b>21</b>

## 1. General information

EN

- The wire rope force transducer described in the operating instructions has been designed and manufactured using state-of-the-art technology. All components are subject to stringent quality and environmental criteria during production. Our management systems are certified to ISO 9001.
- These operating instructions contain important information on handling the instrument. Working safely requires that all safety instructions and work instructions are observed.
- Observe the relevant local accident prevention regulations and general safety regulations for the instrument's range of use.
- The operating instructions are part of the product and must be kept in the immediate vicinity of the instrument and readily accessible to skilled personnel at any time. Pass the operating instructions on to the next operator or owner of the instrument.
- Skilled personnel must have carefully read and understood the operating instructions prior to beginning any work.
- The general terms and conditions contained in the sales documentation shall apply.
- Subject to technical modifications.
- Factory calibrations / DKD/DakKS calibrations are carried out in accordance with international standards.

Further information:

- Internet address: [en.wika.com](http://en.wika.com)
- Relevant data sheet: FO 51.25
- Application consultant: Tel.: +49 9372 132-0  
Fax: +49 9372 132-406  
[info@wika.com](mailto:info@wika.com)

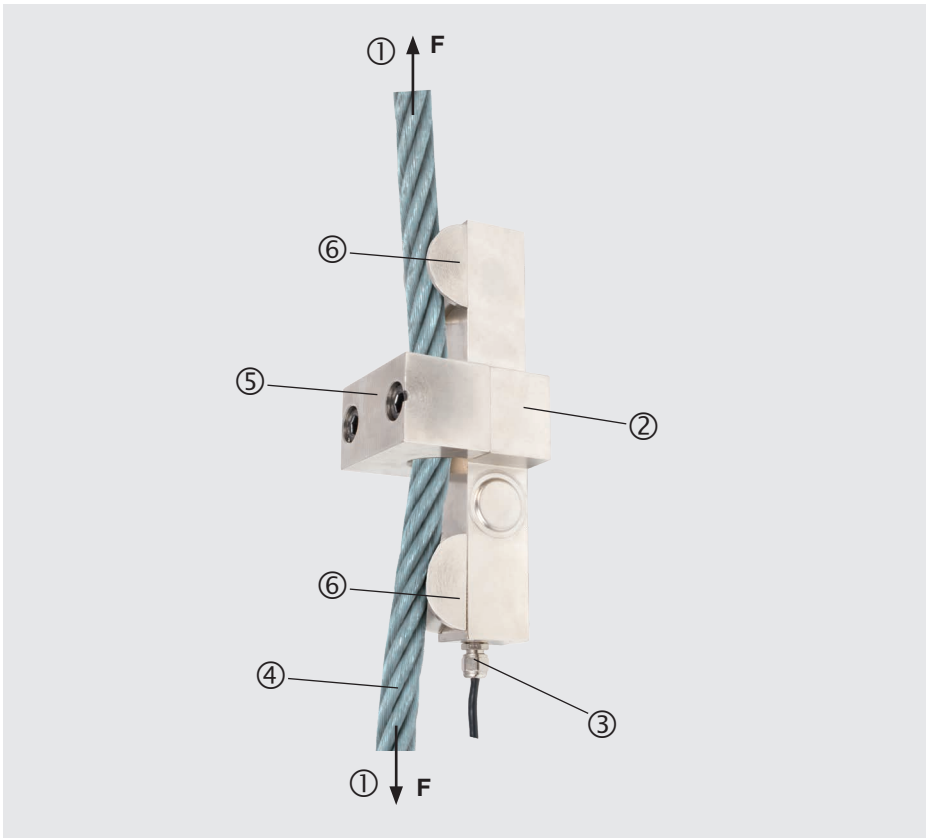
### Abbreviations, definitions

2-wire	The two connection leads are used for the voltage supply. The measuring signal also provides the supply current.
3-wire	Two connection leads are used for the voltage supply. One connection lead is used for the measuring signal.
UB+	Positive power supply terminal
UB-	Negative power supply terminal
S+	Positive output terminal
S-	Negative output terminal
UR+	Positive power supply terminal for relay (signal jump)
UR-	Negative power supply terminal for relay (signal jump)
Shield	Case
x-pin	Pin assignment

### 2. Design and function

#### 2.1 Overview

- ① Force introduction (F)
- ② Measuring spring
- ③ Electrical connection
- ④ Wire rope (measuring object)
- ⑤ Clamping block incl. screws and washers
- ⑥ Rope guides incl. screws and washers



### 3.2 Description

EN

The wire rope force transducer was specially developed to measure loads on existing steel cables, such as lifting equipment, bridge cranes, winches and hoists. The prerequisite for this is a rope anchor point, as the measurement takes place on the stationary rope. The installed wire rope force transducer causes a slight bend on the rope. As soon as the wire rope force transducer is subjected to a tensile load ( $F$ ), lateral forces arise due to the geometric deformation, which are measured by the force sensor in the measuring spring. Due to the force acting in the measurement direction, the measuring spring is elastically deformed. The resulting mechanical tensions are measured by the installed measuring bridge (strain gauge) and output as an electrical output signal. The corresponding signal indicates the actual loading acting on the rope. The wire rope force transducer is manufactured from nickel-plated steel.

### 3.3 Scope of delivery

- Wire rope force transducer
- Operating instructions

## 3. Safety

### 3.1 Explanation of symbols



#### **WARNING!**

... indicates a potentially dangerous situation that can result in serious injury or death, if not avoided.



#### **CAUTION!**

... indicates a potentially dangerous situation that can result in light injuries or damage to property or the environment, if not avoided.



#### **Information**

... points out useful tips, recommendations and information for efficient and trouble-free operation.

### 3.4 Intended use

The wire rope force transducers are designed for measuring static compression forces.

Model	Version
F9204	Measuring ranges 0 ... 1 t to 0 ... 40 t, wire rope diameter 6 ... 48 mm

The instrument has been designed and built solely for the intended use described here, and may only be used accordingly.

The technical specifications contained in these operating instructions must be observed. Improper handling or operation of the instrument outside of its technical specifications requires the instrument to be taken out of service immediately and inspected by an authorised service engineer.

These instruments have been designed and tested in accordance with the relevant safety regulations for electronic measuring instruments. Any usage outside of this is deemed to be improper. The perfect functioning and operational safety of the transducers can only be guaranteed when complying with the instructions given in the operating instructions. During its use, the legal and safety regulations (e.g. VDE 0100) required for the particular application must additionally be observed.

Handle electronic precision measuring instruments with the required care (protect from humidity, impacts, strong magnetic fields, static electricity and extreme temperatures, do not insert any objects into the instrument or its openings). Plugs and sockets must be protected from contamination.

The manufacturer shall not be liable for claims of any type based on operation contrary to the intended use.

### 3.5 Improper use



#### **WARNING!**

#### **Injuries through improper use**

Improper use of the instrument can lead to hazardous situations and injuries.

- ▶ Refrain from unauthorised modifications to the instrument.

Any use beyond or different to the intended use is considered as improper use.

### 3.6 Responsibility of the operator

The instrument is used in the industrial sector. The operator is therefore responsible for legal obligations regarding occupational safety.

EN

The safety instructions within these operating instructions, as well as the safety, accident prevention and environmental protection regulations for the application area of the instrument must be maintained.

The operator is obliged to maintain the product label in a legible condition.

To ensure safe working on the instrument, the operating company must ensure

- that suitable first-aid equipment is available and aid is provided whenever required.
- that the skilled electrical personnel are regularly instructed in all topics regarding work safety, first aid and environmental protection and know the operating instructions and in particular, the safety instructions contained therein.
- that the instrument is suitable for the particular application in accordance with its intended use.
- that personal protective equipment is available.

### 3.7 Personnel qualification



#### **WARNING!**

#### **Risk of injury should qualification be insufficient**

Improper handling can result in considerable injury and damage to equipment.

- ▶ The activities described in these operating instructions may only be carried out by skilled personnel who have the qualifications described below.

#### **Skilled electrical personnel**

Skilled electrical personnel are understood to be personnel who, based on their technical training, know-how and experience as well as their knowledge of country-specific regulations, current standards and directives, are capable of carrying out work on electrical systems and independently recognising and avoiding potential hazards. The skilled electrical personnel have been specifically trained for the work environment they are working in and know the relevant standards and regulations. The skilled electrical personnel must comply with current legal accident prevention regulations.



## 3.8 Personal protective equipment

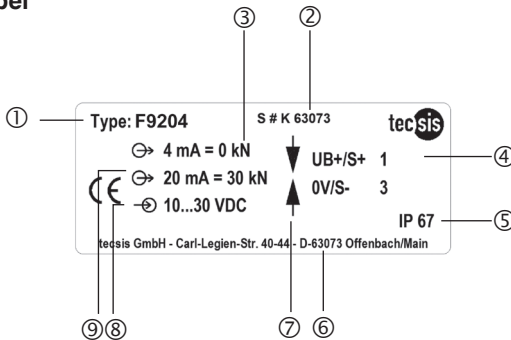
The requirements for the required protective equipment result from the ambient conditions at the place of use, other products or the connection to other products.

The requisite personal protective equipment must be provided by the operating company. The operator is in no way relieved of his obligations under labour law for the safety and the protection of workers' health.

The design of the personal protective equipment must take into account all operating parameters of the place of use.

## 3.9 Labelling, safety marks

### Product label



- ① Model
- ② Serial number
- ③ Measuring range
- ④ Pin assignment
- ⑤ Ingress protection per DIN EN 60259
- ⑥ Address
- ⑦ Direction of force (compression force)
- ⑧ Supply voltage
- ⑨ Output signal

### 4. Transport, packaging and storage

#### 4.1 Transport

Check the wire rope force transducers for any damage that may have been caused by transport.

Obvious damage must be reported immediately.



#### **CAUTION!**

#### **Damage through improper transport**

With improper transport, a high level of damage to property can occur.

- ▶ When unloading packed goods upon delivery as well as during internal transport, proceed carefully and observe the symbols on the packaging.
- ▶ With internal transport, observe the instructions in chapter 4.2 "Packaging and storage".

As precision measuring instruments, transducers require careful handling during transport and mounting. Load impacts during transport (e.g. hitting a hard surface) can lead to permanent damage, resulting in measuring errors in the subsequent measuring operation.

#### 4.2 Packaging and storage

Do not remove packaging until just before mounting.

Keep the packaging as it will provide optimum protection during transport (e.g. change in installation site, sending for repair).

The measuring spring is manufactured completely from nickel-plated steel and corresponds to IP66 ingress protection.

#### **Permissible conditions at the place of storage:**

- Storage temperature: -40 ... +85 °C
- Humidity: 35 ... 85 % relative humidity (non-condensing)

#### **Avoid exposure to the following factors:**

- Mechanical vibration, mechanical shock (putting it down hard)
- Dust, dirt, and other objects may not be deposited in such a way that they form a force shunt with the measuring spring, since this will falsify the measuring signal.

### 5. Commissioning, operation

#### 5.1 Mounting preparation

- Wire rope force transducers are sensitive measuring instruments and must be handled with appropriate care.
- There should be no visible damage on the rope.
- The rope diameter and the corresponding rated loads can be found in the specifications.

#### 5.2 Mounting instructions



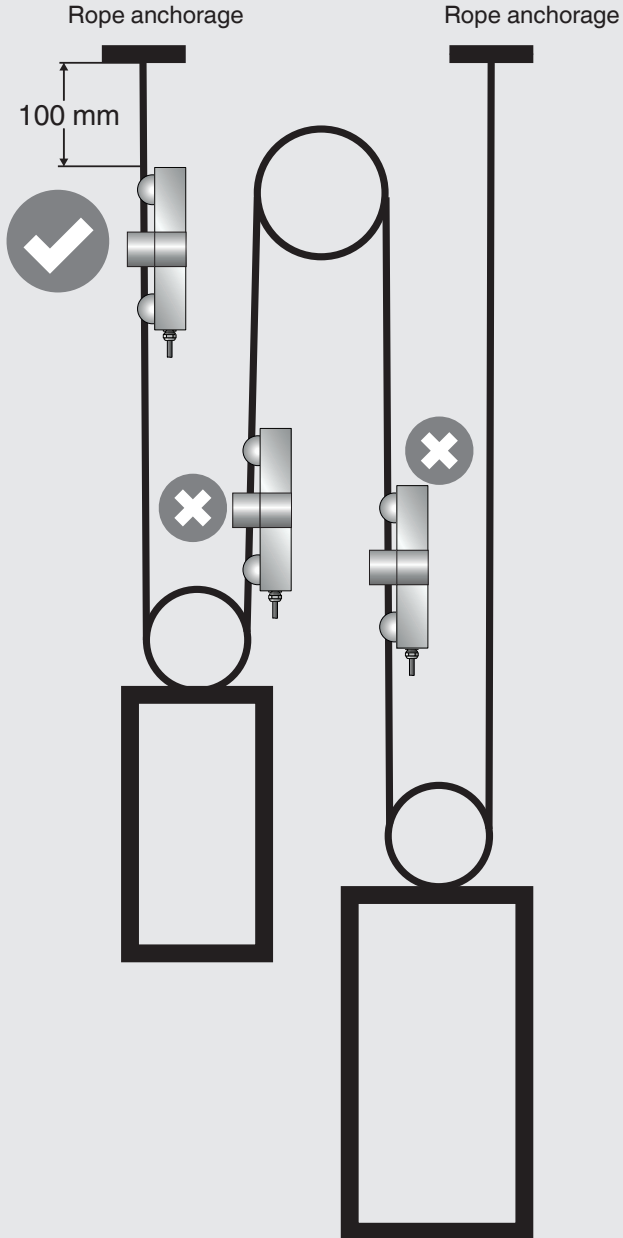
##### **CAUTION!**

##### **Damage to the instrument through improper installation**

- The wire rope force transducer may only be subjected to loads in the type of bearing provided.
- Only mount the wire rope force transducer on the unloaded, stationary rope.
- There must be a minimum distance from the end of the rope of 100 mm.
- The correct position of the rope in the wire rope force transducer must always be ensured.
- A rope that is not vertical can falsify the measuring result.
- During mounting of the wire rope force transducer, the output signal (force value) must always be monitored to avoid mechanical overload.
- The torque of the screws should be taken from the instructions in Chapter 9 “Specifications”.

EN

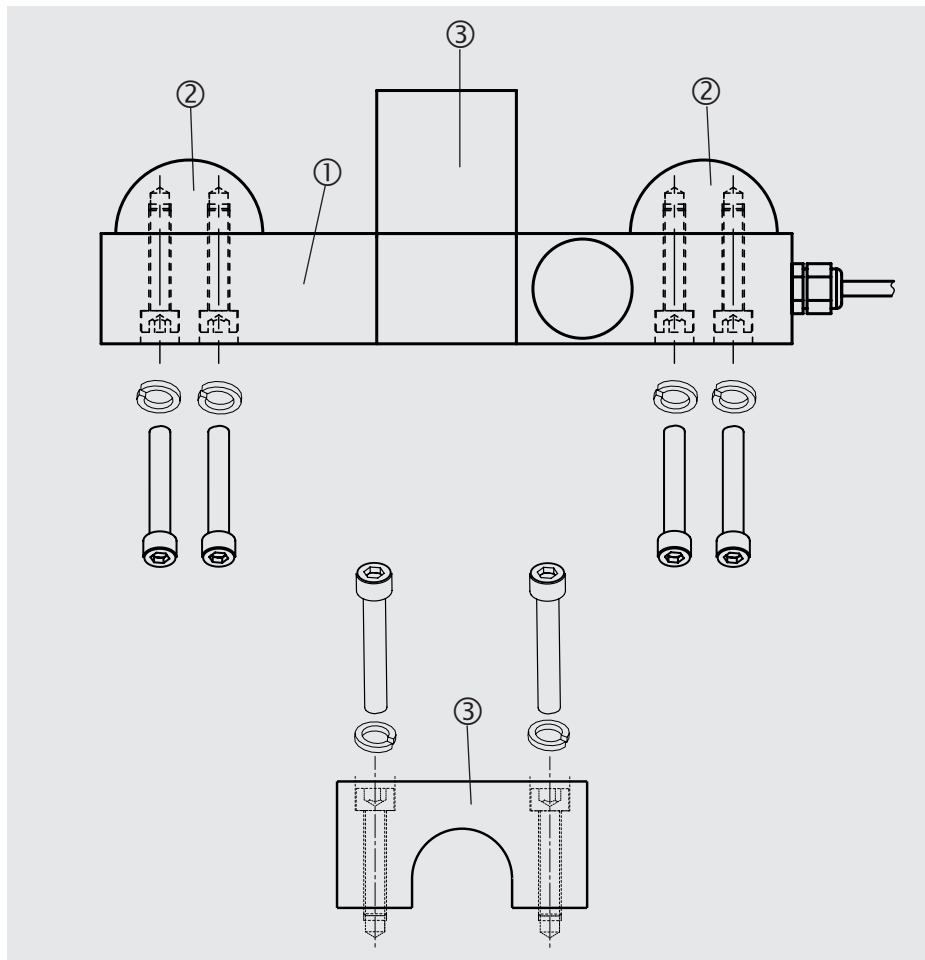
## Sample mounting situation



### 5.3 Mounting the wire rope force transducer

- ① Measuring spring
- ② Rope guides incl. screws and washers (included in delivery)
- ③ Clamping block incl. screws and washers (included in delivery)
- ④ Wire rope (measuring object)

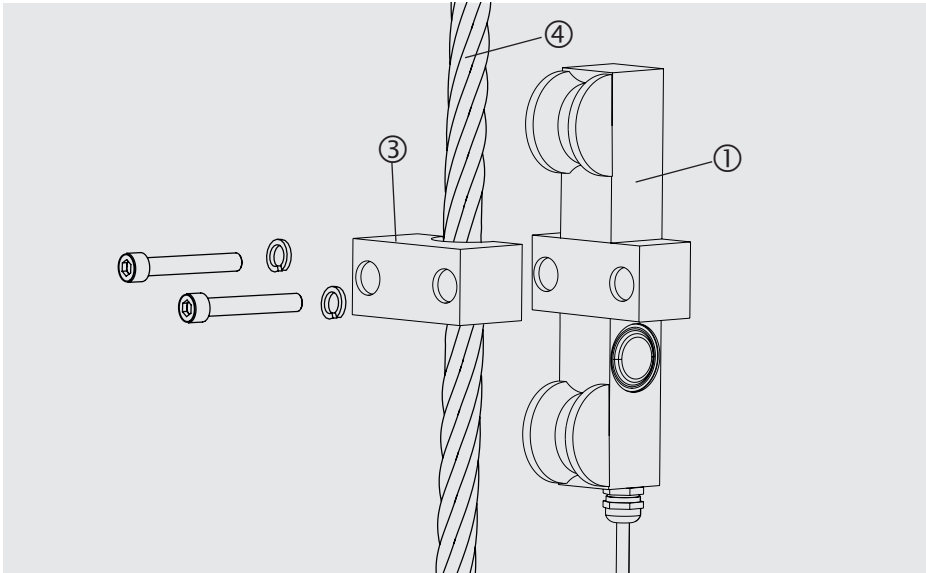
EN



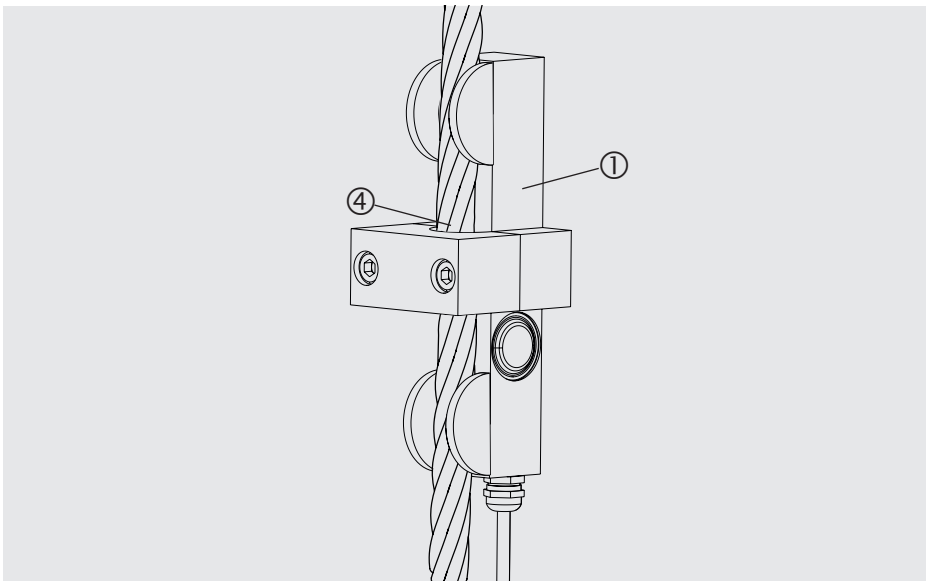
Mount the rope guides ②, matching the rope diameter, on both ends of the wire rope force transducer ① with the appropriate screws and washers. Select the clamping block that matches the rope diameter ③.

## 5. Commissioning, operation

EN



Hold the measuring spring ① on the rope ④ and fit the clamping block ③ with the corresponding screws and washers.



Through the two rope guides, the rope ④ is slightly bent onto the measuring spring ①.

### 5.4 Commissioning the wire rope force transducer

#### Adjustment after mounting the wire rope force transducer

- Load the rope to check the output signal of the wire rope force transducer.
- If the rated load can be reached and the output signal corresponds to the specified characteristic value (output signal at rated load), the process must be repeated several times to monitor the setting behaviour of the rope. If the output signal at the rated load remains stable, then the mounting is complete.

#### Readjustment of the wire rope force transducer

- The output signal reaches the characteristic value (output signal at rated load) before the rated load has been reached. In this case, a readjustment is needed.
- In order to adapt the output signal of the wire rope force transducer to the desired characteristic value, the clamping block must be carefully released using the two screws, so that a gap is created between the clamping block and the measuring spring.
- With decreasing load of the force transducer the characteristic value decreases.
- Loosen the clamping block until the output signal corresponds to the desired characteristic value.



#### CAUTION!

- The gap between the clamping block and the measuring spring must not exceed 7 mm.
- If the output signal does not correspond to the desired characteristic value, even with a 7-mm gap, the readjustment must be stopped and the manufacturer must be informed!
- If the output signal corresponds to the desired characteristic value, then the steps from the chapter “Output signal at rated load” must be repeated.

### 5.5 Electrical connection

#### To prevent interferences from coupling into the system, observe the following information:

- Ground the shield of the measuring cable.
- Do not install measuring cables in parallel to 3-phase-current cables and control cables.
- Avoid stray fields of transformers, motors and contactors.
- Transducers, amplifiers and processing or display units must not be grounded several times. Connect all instruments to the same protective conductor.

The pin assignment of the connector or of the cable can be found on the product label.

## 5.5.1 Pin assignment, analogue output, model F9204

### Cable assignment

Cable colour	2-wire
Red	UB+/S+
Black	0V/S-

EN

## 6. Faults



### CAUTION!

#### Physical injuries, damage to property

If faults cannot be eliminated by means of the listed measures, the wire rope force transducer must be decommissioned immediately.

- ▶ Contact the manufacturer.
- ▶ If a return is needed, please follow the instructions given in chapter 9.2 “Return”.



For contact details see chapter 1 “General information” or the back page of the operating instructions.

Faults	Causes	Measures
<b>No output signal</b>	No or wrong supply voltage, surge current	Rectify the supply voltage
	Cable break	Check the continuity
<b>No or wrong output signal</b>	Wrong pin assignment	Check pin assignment
	Readjustment after installation not carried out	Carry out readjustment after installation
<b>Deviating zero-point signal</b>	Overload, load offset, wrong connection	Consult the manufacturer
	Readjustment after installation not carried out	Carry out readjustment after installation
<b>Constant output signal when changing force</b>	Mechanical overload, wrong pin assignment	Consult the manufacturer
	Mounting on the rope is not correct	Check and adjust mounting to the rope



Faults	Causes	Measures
Signal span varies	EMI sources in the environment; e.g., frequency converter	Shield instrument; cable shield; remove source of interference
Signal span drops/too small	Mechanical overload	Consult the manufacturer
	Setting behaviour of the wire rope	Carry out readjustment

## 7. Maintenance and cleaning



For contact details see chapter 1 “General information” or the back page of the operating instructions.

### 7.1 Maintenance

This instrument is maintenance-free.

Repairs must only be carried out by the manufacturer.

Only use original parts (see chapter 10 “Accessories”).

### 7.2 Cleaning

1. Prior to cleaning, disconnect the wire rope force transducers from the voltage supply and dismount them.

2. Clean the wire rope force transducers with a cloth.

Electrical connections must not come into contact with moisture!



#### CAUTION!

#### Damage to the instrument

Improper cleaning may lead to damage to the instrument!

- ▶ Do not use any aggressive cleaning agents.
- ▶ Do not use any hard or pointed objects for cleaning.

### 8. Dismounting, return and disposal

EN

#### 8.1 Dismounting



**DANGER!**

**Danger to life caused by electric current**

Upon contact with live parts, there is a direct danger to life.

- ▶ The dismounting of the instrument may only be carried out by skilled personnel.

Relieve the wire rope force transducers and disconnect them from power. Unscrew the axle retainer and remove the wire rope force transducers from their installation position.

#### 8.2 Return

**Strictly observe the following when shipping the instrument:**

All instruments delivered to WIKA must be free from any kind of hazardous substances (acids, bases, solutions, etc.) and must therefore be cleaned before being returned.

When returning the instrument, use the original packaging or a suitable transport packaging.

**To avoid damage:**

1. Wrap the instrument in an antistatic plastic film.
2. Place the instrument, along with shock-absorbent material, in the packaging.  
Place shock-absorbent material evenly on all sides of the transport packaging.
3. If possible, place a bag containing a desiccant inside the packaging.
4. Label the shipment as carriage of a highly sensitive measuring instrument.



Information on returns can be found under the heading "Service" on our local website.

#### 8.3 Disposal

Incorrect disposal can put the environment at risk.

Dispose of instrument components and packaging materials in an environmentally compatible way and in accordance with the country-specific waste disposal regulations.



Do not dispose of with household waste. Ensure a proper disposal in accordance with national regulations.

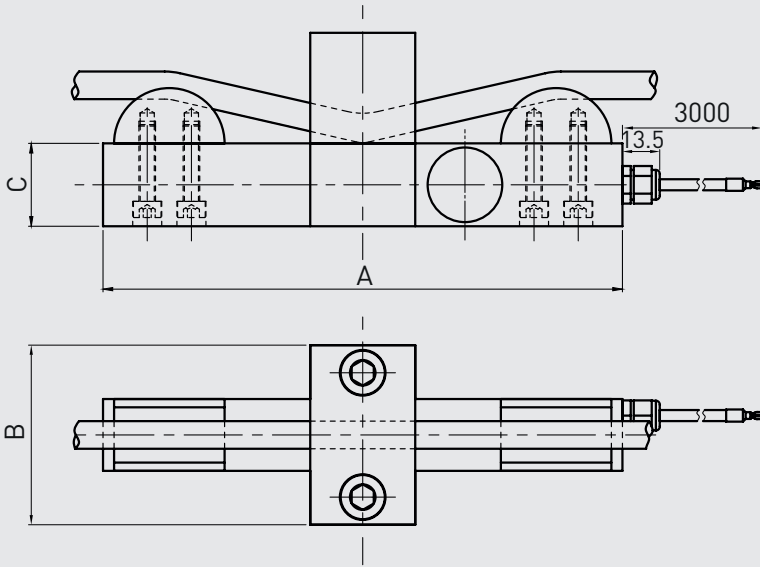
## 9. Specifications

Model F9204	
Rated load $F_{nom}$ t	1 / 2 / 3.5 / 5 / 10 / 20 / 30-40
Relative linearity error $d_{lin}$	$\pm 3\% F_{nom}$
Relative span in unchanged mounting position $b_{rg}$	$\pm 0.5\% F_{nom}$
Relative reversibility error $v$	$\pm 0.5\% F_{nom}$
Relative deviation of zero signal $d_{S, 0}$	$\pm 2\% F_{nom}$
Relative creep, 30 min.	$\pm 0.05\% F_{nom}$
Temperature effect on the zero signal $TK_0$	$\leq \pm 0.25\% / 10^\circ C$
Temperature effect on the characteristic value $TK_C$	$\leq \pm 0.25\% / 10^\circ C$
Limit force $F_L$	150 % $F_{nom}$
Breaking force $F_B$	200 % $F_{nom}$
Material of the measuring body	Steel, nickel-plated
Rated temperature range $B_{T, nom}$	-10 ... +60 °C
Service temperature range $B_{T, G}$	-20 ... +80 °C
Input resistance $R_e$	780 $\pm 10 \Omega$
Output resistance $R_a$	700 $\pm 10 \Omega$
Insulation resistance $R_{is}$	$\geq 5,000 M\Omega / DC 50 V$
Output signal (rated characteristic value) $C_{nom}$	4 ... 20 mA (DC 0...10 V optional)
Electrical connection	Measuring cable $\varnothing 4 \times 3,000$ mm
Excitation voltage $B_{U, nom}$	24 V
Supply voltage	DC 12 ... 36 V
Ingress protection (per IEC/EN 60529)	IP66
Weight in kg	
■ 1 t	1.5
■ 2 t	1.8
■ 3.5 t	2.2
■ 5 t	2.4
■ 10 t	3.7
■ 20 t	5.9
■ 30-40 t	11.2

## 9. Specifications

### Dimensions in mm

EN



Steel cable (tension) Rated load in t	Capacity in t	Dimensions in mm				Tightening torque for the rope guide	Tightening torque for the clamping block
		Steel cable Ø	A	B	C		
1	1	6 ... 14	164	60	28	M5 x 30 (6 Nm)	M8 x 40 (24 Nm)
2	1	10 ... 18	164	60	28	M5 x 30 (6 Nm)	M8 x 40 (24 Nm)
3.5	1.8	10 ... 18	188	65	30	M6 x 30 (10 Nm)	M10 x 45 (48 Nm)
5	2.5	16 ... 24	182	68	34	M8 x 35 (24 Nm)	M10 x 60 (48 Nm)
10	5	24 ... 36	200	80	40	M8 x 40 (24 Nm)	M15 x 65 (150 Nm)
20	10	24 ... 36	240	90	45	M10 x 40 (48 Nm)	M16 x 70 (206 Nm)
30-40	15-20	34 ... 48	310	130	52	M12 x 55 (85 Nm)	M18 x 90 (295 Nm)

ADPR1X914116.01 04/2020 EN/DE



A division of the WIKAL Group

EN

## EU-Konformitätserklärung EU Declaration of Conformity

**Dokument Nr.:** ADEUKX300003.01  
**Document No.:**

Wir erklären in alleiniger Verantwortung, dass die mit CE gekennzeichneten Produkte  
*We declare under our sole responsibility that the CE marked products*

**Typenbezeichnung:** F9204\*  
**Type Designation:**

**Beschreibung:** Seilkraftaufnehmer  
**Description:** Clamp-on load cell

gemäß gültigem Datenblatt:  
*according to the valid data sheet:* FO 51.25

die wesentlichen Schutzanforderungen der folgenden Richtlinien erfüllen: Harmonisierte Normen:  
*comply with the essential protection requirements of the directives: Harmonized standards:*

2011/65/EU Gefährliche Stoffe (RoHS) EN 50581:2012  
2015/863 Hazardous substances (RoHS)

2014/30/EU Elektromagnetische Verträglichkeit (EMV) <sup>(1)</sup> EN 61326-1:2013  
*Electromagnetic Compatibility (EMC) <sup>(1)</sup>* EN 61326-2-1:2013

- (1) Für optional eingebaute Transmitter oder Anzeigen gelten deren EU-Konformitätserklärungen und die darin gelisteten Normen.  
*For optional built-in transmitters and indicators their respective EU declarations of conformity and the therein listed standards apply.*

Unterszeichnet für und im Namen von / Signed for and on behalf of

**tec sis GmbH**

Offenbach, 2020-02-24

  
Stefan Richter, Managing Director

  
Michael Kirsch, Quality Manager

tec sis GmbH  
Carl-Legen-Str. 40 - 44  
63073 Offenbach am Main  
Germany

Tel. +49 69 5806-0  
Fax +49 69 5806-7788  
E-Mail info@tec sis.de  
www.tec sis.de

Sitz Offenbach - Offenbach am Main  
Registernummer: HR B 40169  
Geschäftsführer: Stefan Richter u. Thomas Steinbacher



# Inhalt

<b>1. Allgemeines</b>	<b>24</b>
<b>2. Aufbau und Funktion</b>	<b>25</b>
2.1 Überblick . . . . .	25
2.2 Beschreibung . . . . .	26
2.3 Lieferumfang . . . . .	26
<b>3. Sicherheit</b>	<b>26</b>
3.1 Symbolerklärung . . . . .	26
3.2 Bestimmungsgemäße Verwendung . . . . .	27
3.3 Fehlgebrauch . . . . .	27
3.4 Personalqualifikation . . . . .	28
3.5 Verantwortung des Betreibers . . . . .	28
3.6 Persönliche Schutzausrüstung . . . . .	29
3.7 Beschilderung, Sicherheitskennzeichnungen . . . . .	29
<b>4. Transport, Verpackung und Lagerung</b>	<b>30</b>
4.1 Transport . . . . .	30
4.2 Verpackung und Lagerung . . . . .	30
<b>5. Inbetriebnahme, Betrieb</b>	<b>31</b>
5.1 Montagevorbereitung . . . . .	31
5.2 Montagehinweise . . . . .	31
5.3 Montage des Seilkraftaufnehmers . . . . .	33
5.4 Inbetriebnahme des Seilkraftaufnehmers . . . . .	35
5.5 Elektrischer Anschluss . . . . .	35
<b>6. Störungen</b>	<b>36</b>
<b>7. Wartung und Reinigung</b>	<b>37</b>
7.1 Wartung . . . . .	37
7.2 Reinigung . . . . .	37
<b>8. Demontage, Rücksendung und Entsorgung</b>	<b>37</b>
8.1 Demontage . . . . .	37
8.2 Rücksendung . . . . .	37
8.3 Entsorgung . . . . .	38
<b>9. Technische Daten</b>	<b>39</b>
<b>10. Anlage: EU-Konformitätserklärung</b>	<b>41</b>

## 1. Allgemeines

- Der in der Betriebsanleitung beschriebene Seilkraftaufnehmer wird nach dem aktuellen Stand der Technik konstruiert und gefertigt. Alle Komponenten unterliegen während der Fertigung strengen Qualitäts- und Umweltkriterien. Unsere Managementsysteme sind nach ISO 9001 zertifiziert.
- Diese Betriebsanleitung gibt wichtige Hinweise zum Umgang mit dem Gerät. Voraussetzung für sicheres Arbeiten ist die Einhaltung aller angegebenen Sicherheitshinweise und Handlungsanweisungen.
- Die für den Einsatzbereich des Gerätes geltenden örtlichen Unfallverhütungsvorschriften und allgemeinen Sicherheitsbestimmungen einhalten.
- Die Betriebsanleitung ist Produktbestandteil und muss in unmittelbarer Nähe des Gerätes für das Fachpersonal jederzeit zugänglich aufbewahrt werden. Betriebsanleitung an nachfolgende Benutzer oder Besitzer des Gerätes weitergeben.
- Das Fachpersonal muss die Betriebsanleitung vor Beginn aller Arbeiten sorgfältig durchgelesen und verstanden haben.
- Es gelten die allgemeinen Geschäftsbedingungen in den Verkaufsunterlagen.
- Technische Änderungen vorbehalten.
- Werkskalibrierungen / DKD/DAkkS-Kalibrierungen erfolgen nach internationalen Normen.

Weitere Informationen:

- Internet-Adresse: [www.wika.de](http://www.wika.de)
- Zugehöriges Datenblatt: FO 51.25
- Anwendungsberater: Tel.: +49 9372 132-0  
Fax: +49 9372 132-406  
[info@wika.de](mailto:info@wika.de)

### Abkürzungen, Definitionen

2-Leiter	Die zwei Anschlussleitungen dienen zur Spannungsversorgung. Der Speisestrom ist das Messsignal.
3-Leiter	Zwei Anschlussleitungen dienen zur Spannungsversorgung. Eine Anschlussleitung dient für das Messsignal.
UB+	Positiver Versorgungsanschluss
UB-	Negativer Versorgungsanschluss
S+	Positiver Messanschluss
S-	Negativer Messanschluss
UR+	Positiver Versorgungsanschluss für Relais (Signalsprung)
UR-	Negativer Versorgungsanschluss für Relais (Signalsprung)
Schirm	Gehäuse
x-polig	Anschlussbelegung

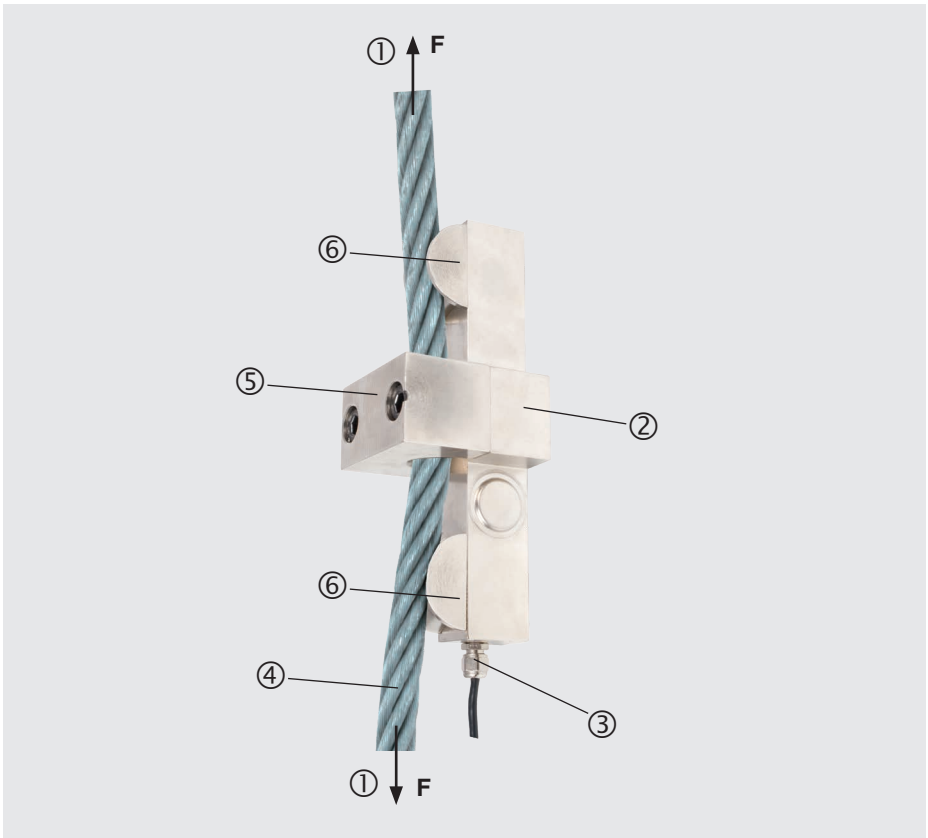


### 2. Aufbau und Funktion

#### 2.1 Überblick

- ① Krafteinleitung (F)
- ② Messfeder
- ③ Elektrischer Anschluss
- ④ Seil (Messobjekt)
- ⑤ Klemmblock inkl. Schrauben und Unterlegscheiben
- ⑥ Seilführungen inkl. Schrauben und Unterlegscheiben

DE



### 3.2 Beschreibung

Der Seilkraftaufnehmer wurde speziell entwickelt, um Lasten an bereits vorhandenen Stahlseilen zu messen wie beispielsweise Hebevorrichtungen, Brückenkränen, Winden und Hubwerken. Voraussetzung dafür ist ein Seilfestpunkt, da die Messung am unbewegten Seil stattfindet. Der installierte Seilkraftaufnehmer bewirkt eine leichte Biegung am Seil.

DE

Sobald der Seilkraftaufnehmer einer Zugbelastung ( $F$ ) ausgesetzt wird, entstehen durch die geometrische Deformation Seitenkräfte, welche von dem Kraftsensor in der Messfeder gemessen werden. Durch die in Messrichtung wirkende Kraft wird die Messfeder somit elastisch verformt. Die entstehenden mechanischen Spannungen werden dabei durch die eingebaute Messbrücke (DMS) gemessen und durch ein elektrisches Ausgangssignal ausgegeben. Das entsprechende Signal zeigt die tatsächliche Belastung an, die auf das Seil wirkt. Gefertigt wird der Seilkraftaufnehmer aus vernickeltem Stahl.

### 3.3 Lieferumfang

- Seilkraftaufnehmer
- Betriebsanleitung

## 3. Sicherheit

### 3.1 Symbolerklärung



#### **WARNUNG!**

... weist auf eine möglicherweise gefährliche Situation hin, die zum Tod oder zu schweren Verletzungen führen kann, wenn sie nicht gemieden wird.



#### **VORSICHT!**

... weist auf eine möglicherweise gefährliche Situation hin, die zu geringfügigen oder leichten Verletzungen bzw. Sach- und Umweltschäden führen kann, wenn sie nicht gemieden wird.



#### **Information**

... hebt nützliche Tipps und Empfehlungen sowie Informationen für einen effizienten und störungsfreien Betrieb hervor.

### 3.4 Bestimmungsgemäße Verwendung

Der Seilkraftaufnehmer ist für das Messen statischer Druckkräfte vorgesehen.

Typ	Ausführung
F9204	Messbereiche 0 ... 1 t bis 0 ... 40 t, Seildurchmesser 6 ... 48 mm

DE

Das Gerät ist ausschließlich für den hier beschriebenen bestimmungsgemäßen Verwendungszweck konzipiert und konstruiert und darf nur dementsprechend verwendet werden.

Die technischen Spezifikationen in dieser Betriebsanleitung sind einzuhalten. Eine unsachgemäße Handhabung oder ein Betreiben des Gerätes außerhalb der technischen Spezifikationen macht die sofortige Stilllegung und Überprüfung durch einen autorisierten Servicemitarbeiter erforderlich.

Diese Geräte sind gemäß den Sicherheitsbestimmungen für elektronische Messgeräte gebaut und geprüft. Jeder darüber hinausgehende Gebrauch gilt als nicht bestimmungsgemäß. Die einwandfreie Funktion und Betriebssicherheit der Aufnehmer kann nur bei Einhaltung der Angaben in der Betriebsanleitung garantiert werden. Bei der Verwendung sind zusätzlich die für den jeweiligen Anwendungsfall erforderlichen Rechts- und Sicherheitsvorschriften zu beachten (z. B. VDE 0100).

Elektronische Präzisionsmessgeräte mit erforderlicher Sorgfalt behandeln (vor Nässe, Stößen, starken Magnetfeldern, statischer Elektrizität und extremen Temperaturen schützen, keine Gegenstände in das Gerät bzw. Öffnungen einführen). Stecker und Buchsen vor Verschmutzung schützen.

Ansprüche jeglicher Art aufgrund von nicht bestimmungsgemäßer Verwendung sind ausgeschlossen.

### 3.5 Fehlgebrauch



#### **WARNUNG!**

#### **Verletzungen durch Fehlgebrauch**

Fehlgebrauch des Gerätes kann zu gefährlichen Situationen und Verletzungen führen.

- ▶ Eigenmächtige Umbauten am Gerät unterlassen.

Jede über die bestimmungsgemäße Verwendung hinausgehende oder andersartige Benutzung gilt als Fehlgebrauch.

### 3.6 Verantwortung des Betreibers

Das Gerät wird im gewerblichen Bereich eingesetzt. Der Betreiber unterliegt daher den gesetzlichen Pflichten zur Arbeitssicherheit.

Die Sicherheitshinweise dieser Betriebsanleitung, sowie die für den Einsatzbereich des Gerätes gültigen Sicherheits-, Unfallverhütungs- und Umweltschutzvorschriften einhalten.

Der Betreiber ist verpflichtet, das Typenschild lesbar zu halten.

Für ein sicheres Arbeiten am Gerät muss der Betreiber sicherstellen,

- dass eine entsprechende Erste-Hilfe-Ausrüstung vorhanden ist und bei Bedarf jederzeit Hilfe zur Stelle ist.
- dass das Elektrofachpersonal regelmäßig in allen zutreffenden Fragen von Arbeitssicherheit, Erste Hilfe und Umweltschutz unterwiesen wird, sowie die Betriebsanleitung und insbesondere die darin enthaltenen Sicherheitshinweise kennt.
- dass das Gerät gemäß der bestimmungsgemäßen Verwendung für den Anwendungsfall geeignet ist.
- dass die persönliche Schutzausrüstung verfügbar ist.

### 3.7 Personalqualifikation



#### **WARNUNG!**

#### **Verletzungsgefahr bei unzureichender Qualifikation**

Unschlagmäßiger Umgang kann zu erheblichen Personen- und Sachschäden führen.

- ▶ Die in dieser Betriebsanleitung beschriebenen Tätigkeiten nur durch Fachpersonal nachfolgend beschriebener Qualifikation durchführen lassen.

#### **Elektrofachpersonal**

Das Elektrofachpersonal ist aufgrund seiner fachlichen Ausbildung, Kenntnisse und Erfahrungen sowie Kenntnis der landesspezifischen Vorschriften, geltenden Normen und Richtlinien in der Lage, Arbeiten an elektrischen Anlagen auszuführen und mögliche Gefahren selbstständig zu erkennen und zu vermeiden. Das Elektrofachpersonal ist speziell für das Arbeitsumfeld, in dem es tätig ist, ausgebildet und kennt die relevanten Normen und Bestimmungen. Das Elektrofachpersonal muss die Bestimmungen der geltenden gesetzlichen Vorschriften zur Unfallverhütung erfüllen.

## 3.8 Persönliche Schutzausrüstung

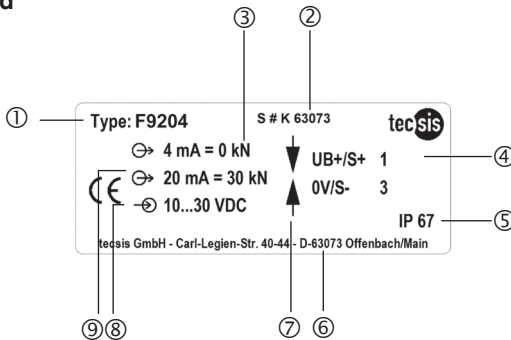
Anforderungen an benötigte Schutzausrüstung ergeben sich aus den Umgebungsbedingungen am Ort der Nutzung, anderen Produkten oder der Verknüpfung mit anderen Produkten.

Die erforderliche persönliche Schutzausrüstung muss vom Betreiber zur Verfügung gestellt werden. Der Betreiber wird durch diese Vorschläge in keinsten Weise von seinen arbeitsrechtlichen Pflichten zur Sicherheit und dem Schutz der Gesundheit der Arbeitnehmer entbunden.

Die Bemessung der persönlichen Schutzausrüstung muss unter Berücksichtigung aller Betriebsparameter des Einsatzortes erfolgen.

## 3.9 Beschilderung, Sicherheitskennzeichnungen

### Typenschild



- ① Typ
- ② Seriennummer
- ③ Messbereich
- ④ Anschlussbelegung
- ⑤ Schutzart gem. DIN EN 60259
- ⑥ Adresse
- ⑦ Kraftrichtung (Druckkraft)
- ⑧ Hilfsenergie
- ⑨ Ausgangssignal

### 4. Transport, Verpackung und Lagerung

#### 4.1 Transport

Die Seilkraftaufnehmer auf eventuell vorhandene Transportschäden untersuchen. Offensichtliche Schäden unverzüglich mitteilen.

DE



#### **VORSICHT!**

#### **Beschädigungen durch unsachgemäßen Transport**

Bei unsachgemäßem Transport können Sachschäden in erheblicher Höhe entstehen.

- ▶ Beim Abladen der Packstücke bei Anlieferung sowie innerbetrieblichem Transport vorsichtig vorgehen und die Symbole auf der Verpackung beachten.
- ▶ Bei innerbetrieblichem Transport die Hinweise unter Kapitel 4.2 „Verpackung und Lagerung“ beachten.

Als Präzisionsmessgeräte verlangen die Aufnehmer beim Transport und der Montage eine sorgfältige Handhabung. Laststöße während des Transports (z. B. Aufschlag auf harten Untergrund) können zu bleibenden Schäden führen, die im späteren Messbetrieb zu Messfehlern führen.

#### 4.2 Verpackung und Lagerung

Verpackung erst unmittelbar vor der Montage entfernen.

Die Verpackung aufbewahren, denn diese bietet bei einem Transport einen optimalen Schutz (z. B. wechselnder Einbauort, Reparatsendung).

Die Messfeder ist vollständig aus vernickeltem Stahl gefertigt und entspricht der Schutzart IP66.

#### **Zulässige Bedingungen am Lagerort:**

- Lagertemperatur: -40 ... +85 °C
- Feuchtigkeit: 35 ... 85 % relative Feuchte (keine Betauung)

#### **Folgende Einflüsse vermeiden:**

- Mechanische Vibration, mechanischer Schock (hartes Aufstellen)
- Staub, Schmutz und sonstige Gegenstände dürfen sich nicht so ablagern, dass sie einen Kraftnebschluss zur Messfeder bilden, da dadurch das Messsignal verfälscht wird.

### 5. Inbetriebnahme, Betrieb

#### 5.1 Montagevorbereitung

- Seilkraftaufnehmer sind empfindliche Messgeräte und entsprechend sorgsam zu behandeln.
- Es sollten sich keine sichtbaren Beschädigungen am Seil befinden.
- Die Seildurchmesser und die dazu passende Nennlasten sind den technischen Daten zu entnehmen.

DE

#### 5.2 Montagehinweise

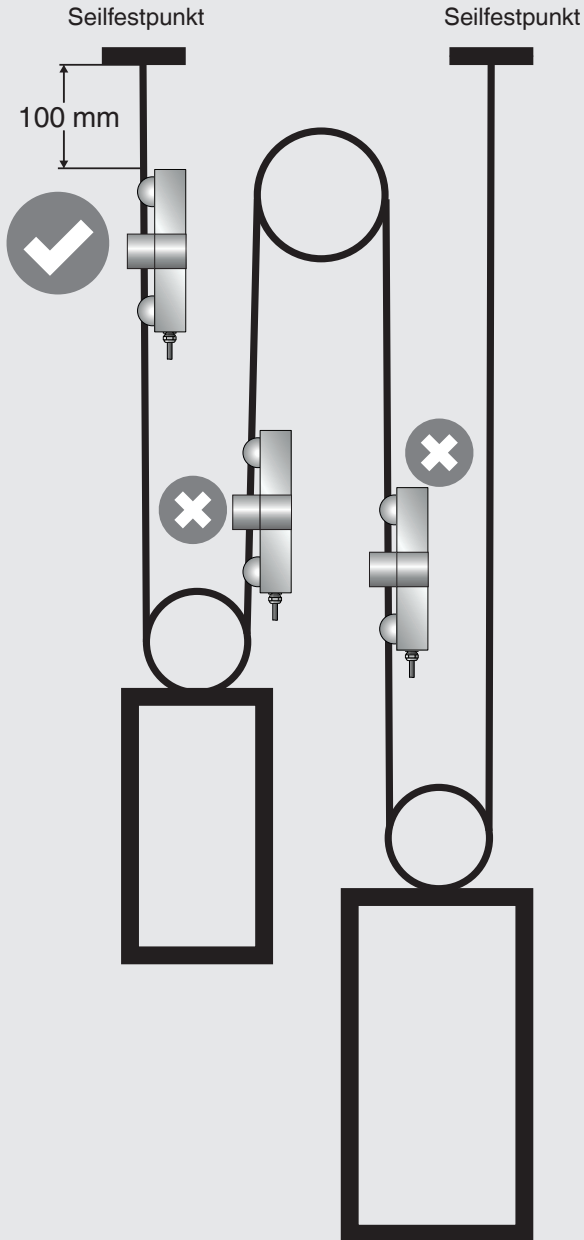


##### **VORSICHT!**

##### **Beschädigung des Gerätes durch unsachgemäße Montage**

- Der Seilkraftaufnehmer darf nur in der vorgesehenen Lagerungsart belastet werden.
- Den Seilkraftaufnehmer nur auf das entlastete, unbewegte Seil montieren.
- Einen Mindestabstand zum Seilende von 100 mm ist einzuhalten.
- Es ist stets auf die richtige Position des Seils im Seilkraftaufnehmer zu achten.
- Ein nicht senkrecht verlaufendes Seil kann das Messergebnis verfälschen.
- Während der Montage des Seilkraftaufnehmers ist das Ausgangssignal (Kraftwert) stets zu überwachen, um eine mechanische Überlastung zu vermeiden.
- Das Drehmoment der Schrauben den Hinweisen unter Kapitel 9 „Technische Daten“ entnehmen.

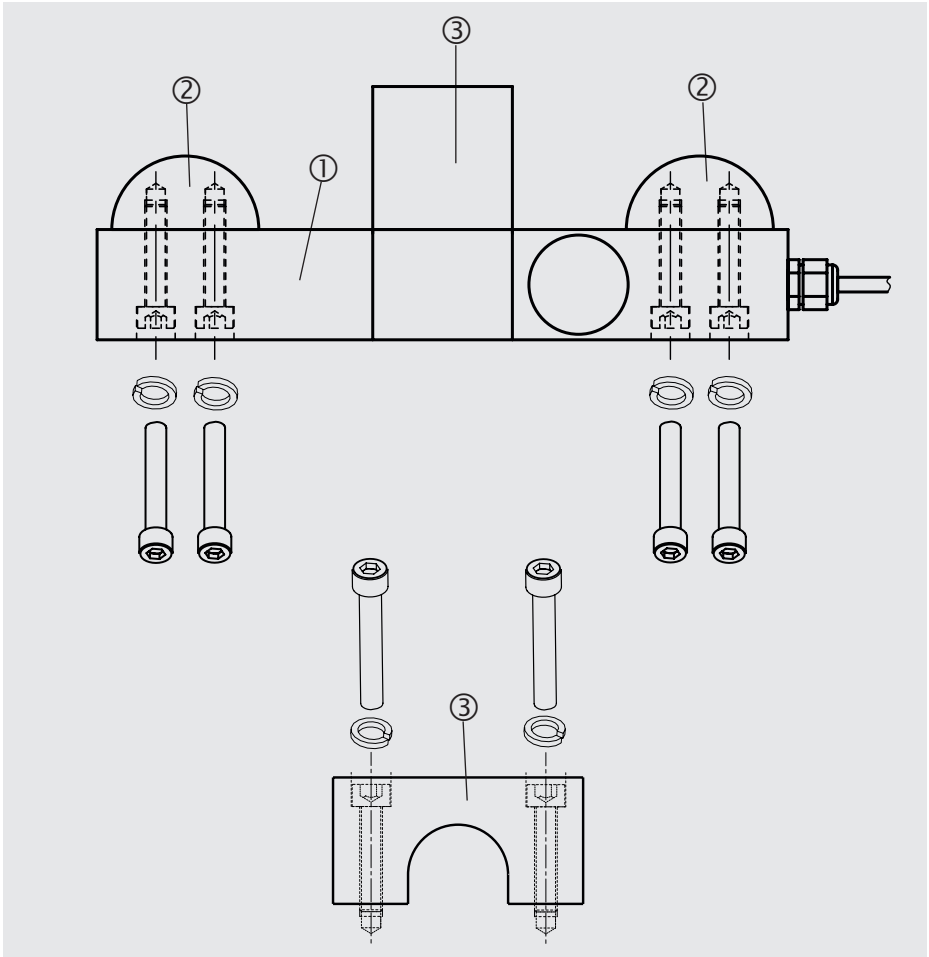
## Beispiel-Einbausituation





## 5.3 Montage des Seilkraftaufnehmers

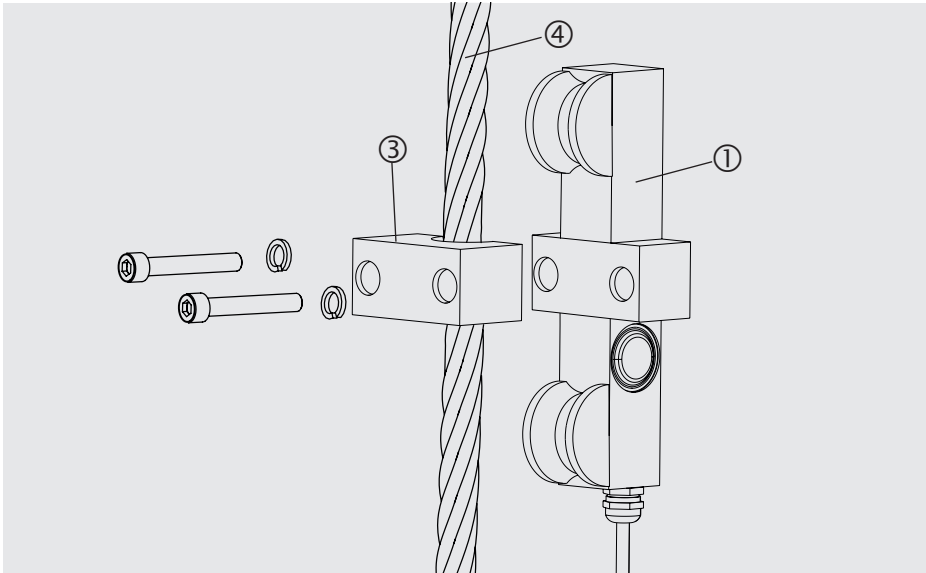
- ① Messfeder
- ② Seilführungen inkl. Schrauben und Unterlegscheiben (im Lieferumfang enthalten)
- ③ Klemmblock inkl. Schrauben und Unterlegscheiben (im Lieferumfang enthalten)
- ④ Seil (Messobjekt)



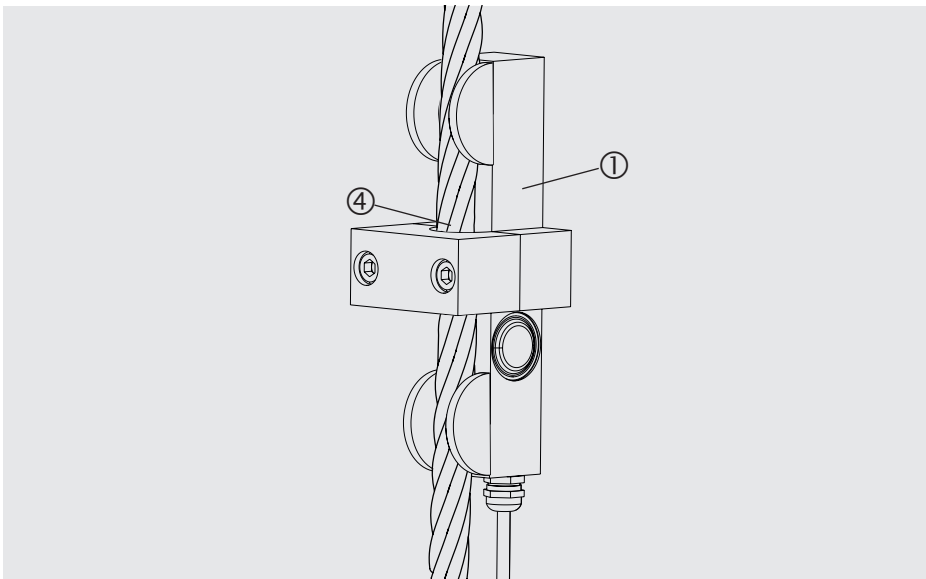
Die zum Seildurchmesser passenden Seilführungen ② auf die beiden Enden des Seilkraftaufnehmers ① mit dazugehörigen Schrauben und Unterlegscheiben montieren. Den zum Seildurchmesser passenden Klemmblock ③ auswählen.

## 5. Inbetriebnahme, Betrieb

DE



Messfeder ① an das Seil ④ halten und den Klemmblock ③ mit dazugehörigen Schrauben und Unterlegscheiben montieren.



Durch die beiden Seilführungen wird das Seil ④ an der Messfeder ① leicht abgewinkelt.

## 5.4 Inbetriebnahme des Seilkraftaufnehmers

### Justage nach Einbau des Seilkraftaufnehmers

- Seil belasten, dabei das Ausgangssignal des Seilkraftaufnehmers prüfen.
- Konnte die Nennlast erreicht werden und das Ausgangssignal entspricht dem angegebenen Kennwert (Ausgangssignal bei Nennlast), muss der Vorgang mehrfach wiederholt werden, um das Setzverhalten des Seils zu überwachen. Bleibt das Ausgangssignal bei Nennlast stabil, ist die Montage abgeschlossen.

### Nachjustage des Seilkraftaufnehmers

- Das Ausgangssignal erreicht den Kennwert (Ausgangssignal bei Nennlast) bevor die Nennlast erreicht wurde. In diesem Fall ist eine Nachjustage notwendig.
- Um das Ausgangssignal des Seilkraftaufnehmers auf den gewünschten Kennwert anzupassen, muss der Klemmblock vorsichtig mittels der beiden Schrauben entspannt werden, sodass zwischen dem Klemmblock und der Messfeder ein Spalt entsteht.
- Mit zunehmender Entlastung des Kraftaufnehmers sinkt der Kennwert.
- Den Klemmblock solange lösen bis das Ausgangssignal dem gewünschten Kennwert entspricht.



#### VORSICHT!

- Der Spalt zwischen Klemmblock und Messfeder darf unter keinen Umständen 7 mm überschreiten.
- Entspricht das Ausgangssignal auch bei einem 7 mm großen Spalt nicht dem gewünschten Kennwert, ist die Nachjustage zu beenden und der Hersteller zu informieren!
- Entspricht das Ausgangssignal dem gewünschten Kennwert, so sind die Schritte aus Kapitel „Ausgangssignal bei Nennlast“ zu wiederholen.

## 5.5 Elektrischer Anschluss

### Um Einkopplungen von Störungen zu vermeiden folgende Hinweise beachten:

- Schirm des Messkabels erden.
- Messkabel nicht parallel zu Starkstrom- und Steuerleitungen legen.
- Streufelder von Transformatoren sowie Motoren und Schützen vermeiden.
- Aufnehmer, Verstärker und Verarbeitungs- bzw. Anzeigeeinheit dürfen nicht mehrfach geerdet werden. Alle Geräte an den selben Schutzleiter anschließen.

Die Anschlussbelegung des Steckers oder des Kabels ist dem Typenschild zu entnehmen.

### 5.5.1 Anschlussbelegung Analogausgang Typ F9204

Kabelbelegung	
Kabelfarbe	2-Leiter
Rot	UB+/S+
Schwarz	0V/S-

## 6. Störungen



### VORSICHT!

#### Körperverletzungen, Sachschäden

Können Störungen mit Hilfe der aufgeführten Maßnahmen nicht beseitigt werden, die Seilkraftaufnehmer unverzüglich außer Betrieb setzen.

- ▶ Kontakt mit dem Hersteller aufnehmen.
- ▶ Bei notwendiger Rücksendung die Hinweise unter Kapitel 9.2 „Rücksendung“ beachten.

DE



Kontaktdaten siehe Kapitel 1 „Allgemeines“ oder Rückseite der Betriebsanleitung.

Störungen	Ursachen	Maßnahmen
<b>Kein Ausgangssignal</b>	Keine oder falsche Hilfsenergie, Stromstoß	Hilfsenergie korrigieren
	Leitungsbruch	Durchgang überprüfen
<b>Kein oder falsches Ausgangssignal</b>	Falsche Anschlussbelegung	Anschlussbelegung prüfen
	Nachjustage nach dem Einbau nicht erfolgt	Nachjustage nach dem Einbau durchführen
<b>Abweichendes Nullpunkt-Signal</b>	Überlast, Last-Offset, falscher Anschluss	Rücksprache mit Hersteller
	Nachjustage nach dem Einbau nicht erfolgt	Nachjustage nach dem Einbau durchführen
<b>Gleichbleiben des Ausgangssignals bei Kraftänderung</b>	Mechanische Überlastung, falsche Anschlussbelegung	Rücksprache mit Hersteller
	Montage am Seil nicht korrekt	Montage am Seil überprüfen bzw. anpassen
<b>Signalspanne schwankend</b>	Elektromagnetische Störquellen in Umgebung, z. B. Frequenzrichter	Gerät abschirmen; Leitungsabschirmung; Störquelle entfernen
<b>Signalspanne fällt ab/zuklein</b>	Mechanische Überlastung	Rücksprache mit Hersteller
	Setzverhalten des Seils	Nachjustage durchführen

### 7. Wartung und Reinigung



Kontaktinformationen siehe Kapitel 1 „Allgemeines“ oder Rückseite der Betriebsanleitung.

DE

#### 7.1 Wartung

Dieses Gerät ist wartungsfrei.

Reparaturen sind ausschließlich vom Hersteller durchzuführen.

Nur Originalteile verwenden (siehe Kapitel 10 „Zubehör“).

#### 7.2 Reinigung

1. Vor der Reinigung die Seilkraftaufnehmer ordnungsgemäß von Spannungsversorgung trennen und ausbauen.
2. Die Seilkraftaufnehmer mit einem Tuch reinigen.  
Elektrische Anschlüsse nicht mit Feuchtigkeit in Berührung bringen!



#### **VORSICHT!**

##### **Beschädigung des Gerätes**

Eine unsachgemäße Reinigung führt zur Beschädigung des Gerätes!

- ▶ Keine aggressiven Reinigungsmittel verwenden.
- ▶ Keine harten und spitzen Gegenstände zur Reinigung verwenden.

### 8. Demontage, Rücksendung und Entsorgung

#### 8.1 Demontage



#### **GEFAHR!**

##### **Lebensgefahr durch elektrischen Strom**

Bei Berührung mit spannungsführenden Teilen besteht unmittelbare Lebensgefahr.

- ▶ Die Demontage des Gerätes darf nur durch Fachpersonal erfolgen.

Die Seilkraftaufnehmer entlasten und vom Strom trennen. Den Klemmblock lösen und die Seilkraftaufnehmer aus der Einbausituation entfernen.

#### 8.2 Rücksendung

##### **Beim Versand des Gerätes unbedingt beachten:**

Alle an WIKA gelieferten Geräte müssen frei von Gefahrstoffen (Säuren, Laugen, Lösungen, etc.) sein und sind daher vor der Rücksendung zu reinigen.

## 8. Demontage, Rücksendung ..

Zur Rücksendung des Gerätes die Originalverpackung oder eine geeignete Transportverpackung verwenden.

### Um Schäden zu vermeiden:

1. Das Gerät in eine antistatische Plastikfolie einhüllen.
2. Das Gerät mit dem Dämmmaterial in der Verpackung platzieren.  
Zu allen Seiten der Transportverpackung gleichmäßig dämmen.
3. Wenn möglich einen Beutel mit Trocknungsmittel der Verpackung beifügen.
4. Sendung als Transport eines hochempfindlichen Messgerätes kennzeichnen.

DE



Hinweise zur Rücksendung befinden sich in der Rubrik „Service“ auf unserer lokalen Internetseite.

### 8.3 Entsorgung

Durch falsche Entsorgung können Gefahren für die Umwelt entstehen. Gerätekomponenten und Verpackungsmaterialien entsprechend den landesspezifischen Abfallbehandlungs- und Entsorgungsvorschriften umweltgerecht entsorgen.



Nicht mit dem Hausmüll entsorgen. Für eine geordnete Entsorgung gemäß nationaler Vorgaben sorgen.

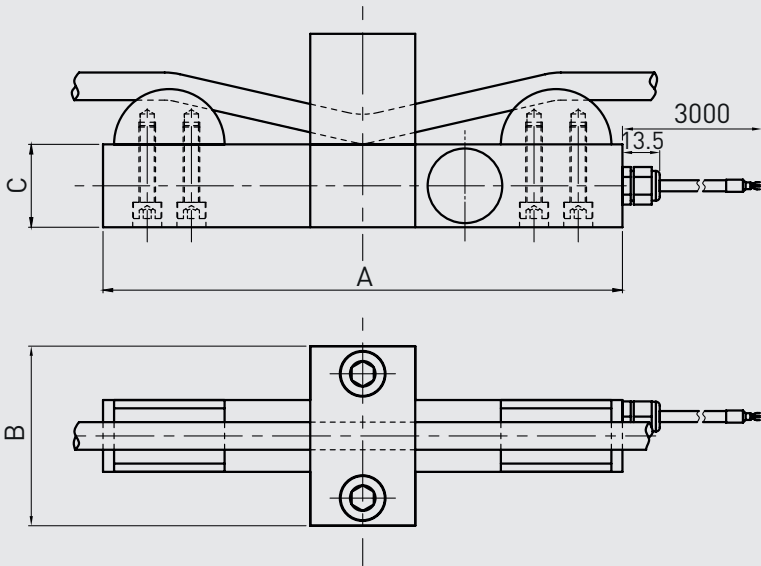
## 9. Technische Daten

DE

Typ F9204	
Nennlast $F_{nom}$ t	1 / 2 / 3,5 / 5 / 10 / 20 / 30-40
Relative Linearitätsabweichung $d_{lin}$	$\pm 3 \% F_{nom}$
Relative Spannweite in unveränderter Einbaulage $b_{rg}$	$\pm 0,5 \% F_{nom}$
Relative Umkehrspanne $v$	$\pm 0,5 \% F_{nom}$
Relative Abweichung des Nullsignals $d_{S, 0}$	$\pm 2 \% F_{nom}$
Relatives Kriechen, 30 min.	$\pm 0,05 \% F_{nom}$
Temperatureinfluss auf das Nullsignal $TK_0$	$\leq \pm 0,25 \% / 10^\circ C$
Temperatureinfluss auf den Kennwert $TK_C$	$\leq \pm 0,25 \% / 10^\circ C$
Grenzkraft $F_L$	150 % $F_{nom}$
Bruchkraft $F_B$	200 % $F_{nom}$
Werkstoff des Messkörpers	Stahl, vernickelt
Nenntemperaturbereich $B_{T, nom}$	-10 ... +60 °C
Gebrauchstemperaturbereich $B_{T, G}$	-20 ... +80 °C
Eingangswiderstand $R_e$	780 $\pm$ 10 $\Omega$
Ausgangswiderstand $R_a$	700 $\pm$ 10 $\Omega$
Isolationswiderstand $R_{is}$	$\geq 5.000 M\Omega / DC 50 V$
Ausgangssignal (Nennkennwert) $C_{nom}$	4 ... 20 mA (DC 0...10 V optional)
Elektrischer Anschluss	Messkabel $\varnothing 4 \times 3.000$ mm
Speisespannung $B_{U, nom}$	24 V
Hilfsenergie	DC 12 ... 36 V
Schutzart (nach IEC/EN 60529)	IP66
<b>Gewicht in kg</b>	
■ 1 t	1,5
■ 2 t	1,8
■ 3,5 t	2,2
■ 5 t	2,4
■ 10 t	3,7
■ 20 t	5,9
■ 30-40 t	11,2

## Abmessungen in mm

DE



Stahlseil (Zug) Nennlast in t	Kapa- zität in t	Abmessungen in mm			Anzugsmoment Seilführung	Anzugsmoment Klemmblock	
		Stahl- seil Ø	A	B			C
1	1	6 ... 14	164	60	28	M5 x 30 (6 Nm)	M8 x 40 (24 Nm)
2	1	10 ... 18	164	60	28	M5 x 30 (6 Nm)	M8 x 40 (24 Nm)
3,5	1,8	10 ... 18	188	65	30	M6 x 30 (10 Nm)	M10 x 45 (48 Nm)
5	2,5	16 ... 24	182	68	34	M8 x 35 (24 Nm)	M10 x 60 (48 Nm)
10	5	24 ... 36	200	80	40	M8 x 40 (24 Nm)	M15 x 65 (150 Nm)
20	10	24 ... 36	240	90	45	M10 x 40 (48 Nm)	M16 x 70 (206 Nm)
30-40	15-20	34 ... 48	310	130	52	M12 x 55 (85 Nm)	M18 x 90 (295 Nm)





## EU-Konformitätserklärung EU Declaration of Conformity

**Dokument Nr.:** ADEUKX300003.01  
**Document No.:**

Wir erklären in alleiniger Verantwortung, dass die mit CE gekennzeichneten Produkte  
*We declare under our sole responsibility that the CE marked products*

**Typenbezeichnung:** F9204\*  
**Type Designation:**

**Beschreibung:** Seilkraftaufnehmer  
**Description:** Clamp-on load cell

gemäß gültigem Datenblatt:  
*according to the valid data sheet:* FO 51.25

die wesentlichen Schutzanforderungen der folgenden Richtlinien erfüllen: Harmonisierte Normen:  
*comply with the essential protection requirements of the directives: Harmonized standards:*

2011/65/EU Gefährliche Stoffe (RoHS) EN 50581:2012  
2015/863 Hazardous substances (RoHS)

2014/30/EU Elektromagnetische Verträglichkeit (EMV) <sup>(1)</sup> EN 61326-1:2013  
*Electromagnetic Compatibility (EMC) <sup>(1)</sup>* EN 61326-2-1:2013

- (1) Für optional eingebaute Transmitter oder Anzeigen gelten deren EU-Konformitätserklärungen und die darin gelisteten Normen.  
*For optional built-in transmitters and indicators their respective EU declarations of conformity and the therein listed standards apply.*

Unterszeichnet für und im Namen von / Signed for and on behalf of

**tec sis GmbH**

Offenbach, 2020-02-24

  
Stefan Richter, Managing Director

  
Michael Kirsch, Quality Manager

tec sis GmbH  
Carl-Legen-Str. 40 - 44  
63073 Offenbach am Main  
Germany

Tel. +49 69 5806-0  
Fax +49 69 5806-7788  
E-Mail [info@tec sis.de](mailto:info@tec sis.de)  
[www.tec sis.de](http://www.tec sis.de)

Sitz Offenbach - Offenbach am Main  
Registernummer: HR B 40169  
Geschäftsführer: Stefan Richter u. Thomas Steinbacher





tecsis subsidiaries worldwide can be found online at [www.tecsis.com](http://www.tecsis.com).  
WIKA subsidiaries worldwide can be found online at [www.wika.com](http://www.wika.com).

Manufacturer contact:



A division of the WIKA Group

**tecsis GmbH**

Carl-Legien-Str. 40-44  
63073 Offenbach am Main • Germany  
Tel. +49-69-5806-0  
Fax +49-69-5806-7788  
[info@tecsis.de](mailto:info@tecsis.de)  
[www.tecsis.com](http://www.tecsis.com)

Sales contact:



**WIKA Alexander Wiegand SE & Co. KG**

Alexander-Wiegand-Straße 30  
63911 Klingenberg • Germany  
Tel. +49 9372 132-0  
Fax +49 9372 132-406  
[info@wika.de](mailto:info@wika.de)  
[www.wika.de](http://www.wika.de)