

Pressure sensor CANopen® Models D-20-9, D-21-9

WIKA data sheet PE 81.39

CANopen®

Applications

- Hydraulics and pneumatics
- Automation engineering
- Industrial applications

Special features

- Integrated CANopen interface per DS-301
- Device profile DS-404
- Measuring ranges: 0 ... 250 mbar to 0 ... 1,000 bar
- Version with integrated Y-connector



Fig. left: D-20-9

Fig. centre: D-20-9 with integrated Y-connector

Fig. right: D-21-9 with DIP switch

Description

The model D-20-9 and model D-21-9 pressure sensors are the ideal solution in the field of industrial pressure measurement when a high-performance yet cost-effective solution with a CANopen interface is needed. These pressure sensors feature a high accuracy and flexibility with their alignment to the widest variety of measuring tasks.

All wetted parts are manufactured from stainless steel and are fully welded. There are no internal sealing elements, which would otherwise entail restrictions in the selection of the medium.

Bus technology

The integrated interface is designed in accordance with the DS-301 CANopen specification from the CiA user organisation. The DS-404 instrument profile used has been designed

specifically for measurement and control instruments, which ensures compatibility with any CANopen system designed in accordance with CiA. A galvanic isolation of the output signals is available as an option.

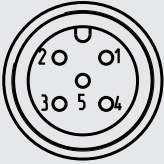
As communication services, amongst others, LSS, Node Guarding, Heartbeat, synchronous and asynchronous data transmission are supported.

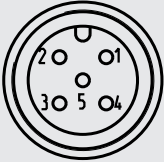
The baud rate can be set from 20 K baud up to 1 M baud. As an option, the configuration can be offered via DIP switches. For simple configuration, our EasyCom CANopen tool is available.

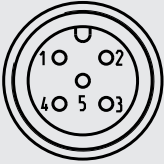
Specifications										
Measuring ranges [bar]	0.25	0.4	0.6	1	1.6	2.5	4	6	10	16
	25	40	60	100	160	250	400	600	1,000 (only for model D-20-9)	
Overload safety	Measuring ranges ≤ 1.6 bar: 5-fold Measuring ranges 2.5 ... 16 bar: 4-fold (measuring range 10 bar: 3-fold) Measuring ranges 25 ... 600 bar: 2-fold Measuring range 1,000 bar: 1.5-fold									
	{Vacuum, overpressure, +/- and absolute pressure are available}									
Material	Wetted parts Model D-20-9: Stainless steel Model D-21-9: Stainless steel (option: Hastelloy); O-ring: NBR (option: FPM/FKM or EPDM) Case: Stainless steel For other materials, see WIKA diaphragm seals product range									
Internal transmission fluid	Synthetic oil Halocarbon oil for oxygen versions (option) Listed by FDA for food industry (option) No transmission fluid for model D-20-9 with measuring range > 25 bar									
Power supply U+	DC 10 ... 30 V									
Output signal	CANopen protocol in accordance with CiA DS-301 V. 4.02, device profile DS-404 V. 1.2									
Power consumption	< 0.5 W < 0.7 W with galvanic isolation (option)									
Communication services	LSS (CiA DSP 305, version 1.1.1) services Configuration of the instrument address and baud rate Sync/Async, Node/Lifeguarding, Heartbeat Individually programmable filter in order to suppress, for example, specific resonant frequencies									
Response time (10 ... 90 %)	1.5 ms (baud rate ≥ 125 K)									
Internal measuring rate	1.000 Hz (adjustable up to approx. 4 Hz)									
Insulation voltage	DC 500 V									
Accuracy	≤ 1 % of span ≤ 0.5 % of span (option) ≤ 0.3 % of span (option, not possible in combination with DIP switch) Including non-linearity, hysteresis, zero offset and end value deviation (corresponds to measured error per IEC 61298-2). Calibrated in vertical mounting position, process connection facing downwards. In individual cases equipment exposed to strong electromagnetic fields with frequencies up to 2.7 GHz may show increased measurement errors of up to 1 %. To avoid such influences on the measurement signal do not operate the equipment in proximity to strong transmitters or radio installations, or use suitable sheath current filters.									
Non-linearity	≤ 0.2 % of span (BFSL) per IEC 61298-2									
Non-repeatability	≤ 0.1 % of span									
Long-term stability	≤ 0.2 % of span / year (at reference conditions)									
Permissible temperature ranges										
Medium	-30 ... +100 °C -40 ... +125 °C (option)									
Ambient	-20 ... +80 °C									
Storage	-40 ... +100 °C									
Compensated temperature range	0 ... 80 °C									
Temperature coefficients in the compensated temperature range										
Mean TC of zero	≤ 0.2 of span / 10 K									
Mean TC of span	≤ 0.2 of span / 10 K									

Specifications	
Shock resistance	500 g to IEC 60068-2-27 (mechanical shock)
Vibration resistance	Version with DIP switch: 20 g per IEC 60068-2-6 (vibration under resonance) Version without DIP switch: 10 g per IEC 60068-2-6 (vibration under resonance)
Electrical safety	Reverse polarity protection UB+ vs. UB-
Ingress protection	IP67 The stated ingress protection only applies when plugged in using mating connectors that have the appropriate ingress protection.
Weight	approx. 200 g approx. 300 g with integrated Y-connector
Restrictions for oxygen version	Model D-21-9 not available. Model D-20-9 only possible with medium temperature -20 ... +60 °C and wetted parts in stainless steel or Elgiloy®.

Electrical connections

Circular connector M12 x 1 (5-pin)		
	Shield	1
	UB+ (CAN V+)	2
	UB- (CAN GND)	3
	CAN-High	4
	CAN-Low	5

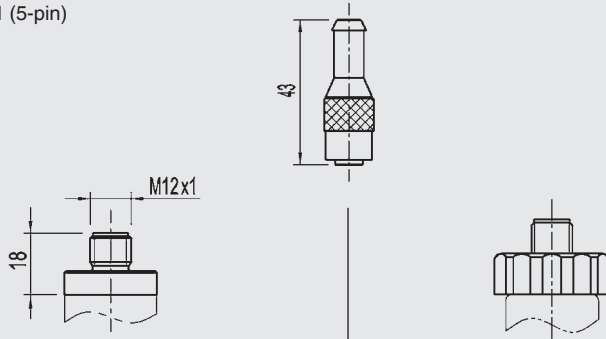
Circular connector M12 x 1 (5-pin), Y-connector (male connector)		
	Shield	1
	UB+ (CAN V+)	2
	UB- (CAN GND)	3
	CAN-High	4
	CAN-Low	5

Circular connector M12 x 1 (5-pin), Y-connector (female connector)		
	Shield	1
	UB+ (CAN V+)	2
	UB- (CAN GND)	3
	CAN-High	4
	CAN-Low	5

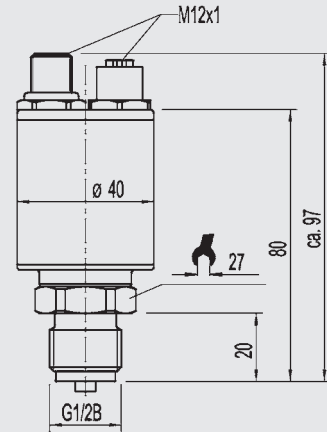
Dimensions in mm

Electrical connections

Circular connector
M12 x 1 (5-pin)

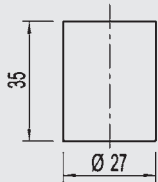


Two circular connectors M12 x 1 (5-pin)
Male and female connector (with integrated Y-connector)

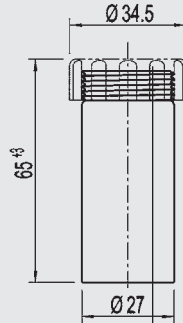


Case

Case with welded cover



Case with option of DIP switches or galvanic isolation

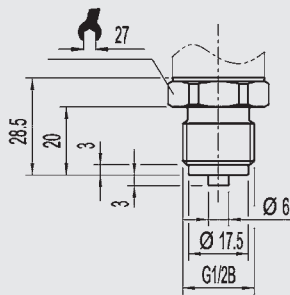


The variant depicted here can be combined with all of the process connections listed below.

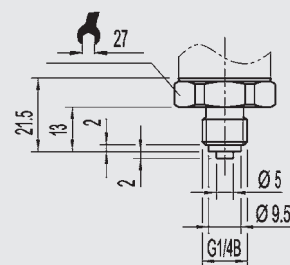
Others on request

Process connections D-20-9

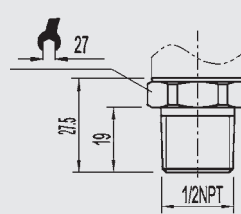
G 1/2 EN 837



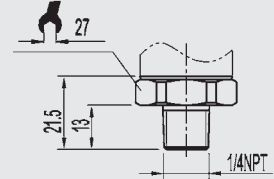
G 1/4 EN 837



1/2 NPT



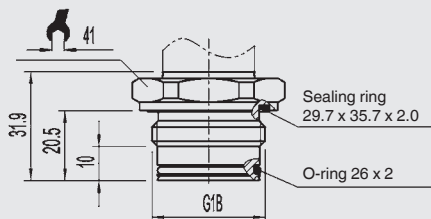
1/4 NPT



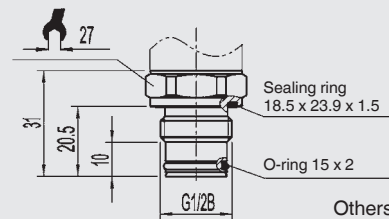
Others on request

Process connections D-21-9, flush

G 1
0 ... 0.1 to 0 ... 1.6 bar



G 1/2
from 1.6 bar



Others on request

For installation and safety instructions see the operating instructions for this product.

For information on tapped holes and welding sockets, please see Technical information IN 00.14 at www.wika.com

Accessories

Description	Order number
Y-connector (M12 x 1 female connector – male/female connector) CAN	2344526
Terminating resistor (120 Ohm, M12 x 1 connector) CAN	2308274
Bus cable 0.5 m (M12 x 1 male/female connector) CAN	2308240
Bus cable 2 m (M12 x 1 male/female connector) CAN	2308258
Software EasyCom CANopen, incl. PCAN-USB adapter, cable set and power supply unit for configuration of CANopen transmitters. For Windows 98/ME/2000/XP/Vista	7483167

Approvals

Logo	Description	Country
CE	EU declaration of conformity <ul style="list-style-type: none"> ■ EMC directive EN 61326 emission (group 1, class B) and immunity (industrial application) ■ Pressure equipment directive ■ RoHS directive 	European Union
-	CRN Safety (e.g. electr. safety, overpressure, ...)	Canada

Approvals and certificates, see website

© 09/2003 WIKA Alexander Wiegand SE & Co. KG, all rights reserved.
The specifications given in this document represent the state of engineering at the time of publishing.
We reserve the right to make modifications to the specifications and materials.

