

φ5 Measurable Close Focus Type

# Infrared Temperature Sensor

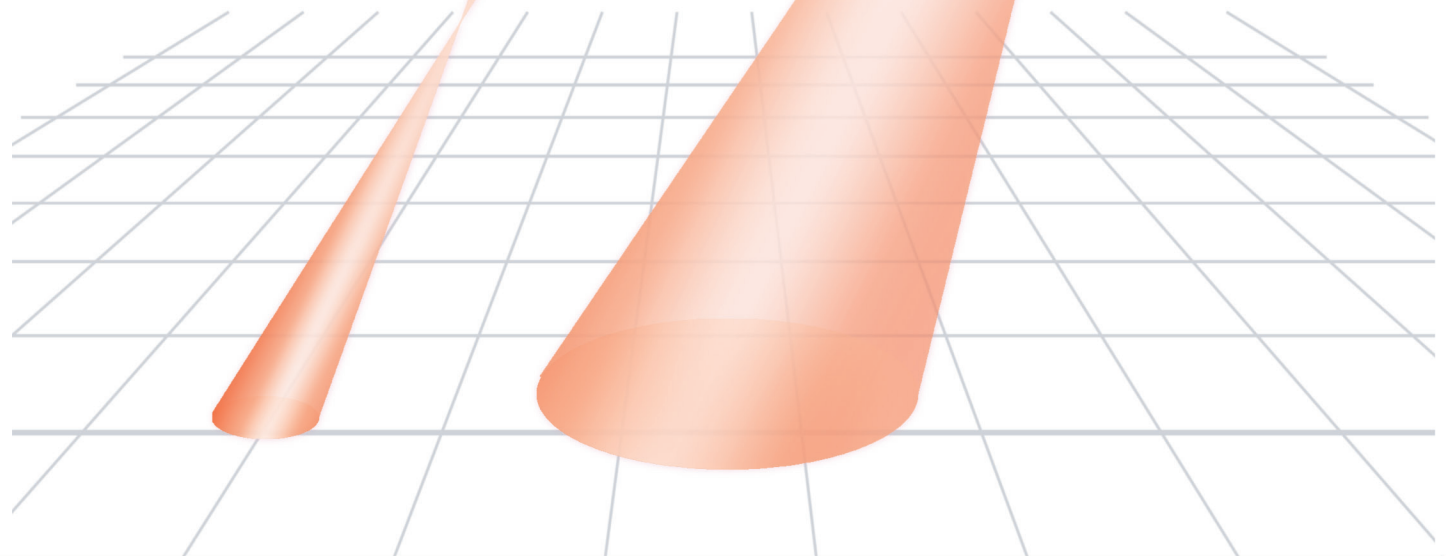
## RD-500 Series

- Easily selectable from a simple lineup
- Temperature range: 0 to 250°C, 0 to 500°C
- 4 types all with the same size
- CE marking acquired

**Close Focus**  
RD-5CF-H0

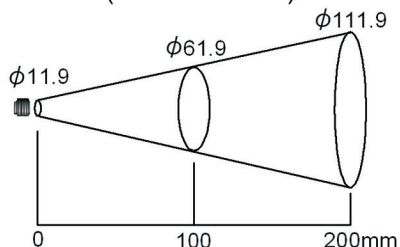
**Field of View 2:1**  
RD-502-M0

**Field of View 15:1**  
RD-515-M0  
RD-515-H0

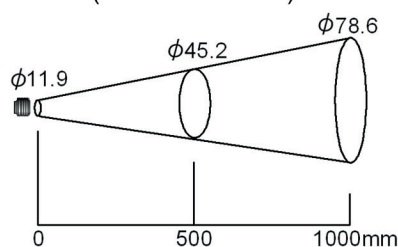


■ Diameter of target spot measured versus distance from sensing head

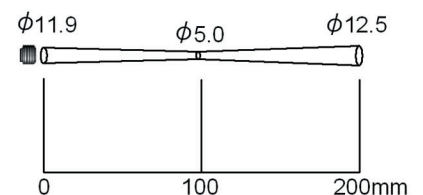
RD-502-M0(Field of view 2:1)



RD-515-0(Field of view 15:1)



RD-5CF-H0(Close focus)



**Shinko**

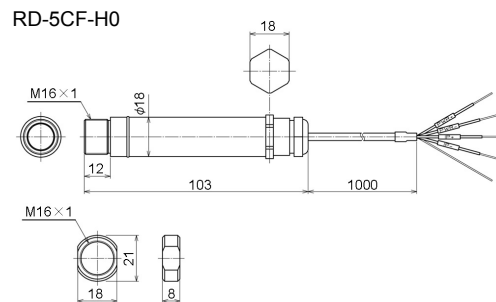
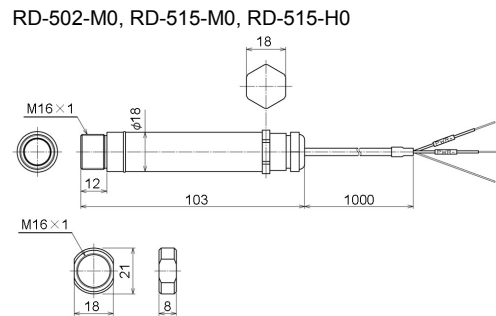
## Model

Field of View		Model	Temperature Range	Output
Field of view	2:1	<b>RD-502-M0</b>	0 to 250°C	DC current: 4 to 20mA DC (2-wire type)
	15:1	<b>RD-515-M0</b>	0 to 250°C	
		<b>RD-515-H0</b>	0 to 500°C	
Close focus		<b>RD-5CF-H0</b>	0 to 500°C	

## Specifications

Accuracy	±1% of reading or ±1°C whichever is greater
Repeatability	±0.5% of reading or ±0.5°C whichever is greater
Emissivity	Fixed at 0.95 0.200 to 1.000 [When the emissivity adjuster (PTA, sold separately) is used] 0.200 to 1.000 [When the digital indicating controller (ACS-13A-□/A, sold separately) is used]
Response	240ms (90% response)
Spectral Range	8 to 14μm
Max. Load Resistance	900Ω (DC current output) (for 24V DC)
Power Supply	24V DC (Max 28V DC), 25mA
Ambient Temperature	0 to 70°C
Ambient Humidity	Max. 95%RH (non-condensing)
External Dimensions	∅18 x 103mm (diameter x length)
Weight	Approx. 100g (Cable included)
Material	Stainless steel SUS304
Mounting	Fixed using a mounting bracket (The mounting bracket is sold separately.)
Drip-proof/Dust-proof	IP65
Cable Length	1m

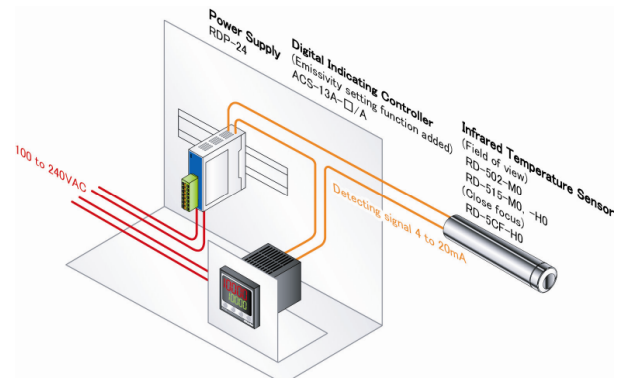
## External Dimensions (Scale: mm)



## Accessories Sold Separately

- Fixed-mounting bracket (FBS)
- Air purge collar (APSW) (For RD-502)
- Adjustable-mounting bracket (ABS)
- Air purge collar (APSN) (For RD-515, RD-5CF)
- Digital indicating controller (Emissivity setting function added) (ACS-13A-□/A)
- Power supply for the RD-500 (RDP-24)

## Images of Wiring



The RD-5CF-H0 (close focus) is 4-wire type, but 2 wires are not used.

# SHINKO TECHNOS CO., LTD. OVERSEAS DIVISION

Reg. Office: 2-5-1, Senbahigashi, Minoo, Osaka, Japan

URL : <http://www.shinko-technos.co.jp>

E-mail : [overseas@shinko-technos.co.jp](mailto:overseas@shinko-technos.co.jp)

Tel : 81-72-727-6100

Fax: 81-72-727-7006