

Read and follow these safety instructions first

## 1. Safety instructions

- 1.1 Installation, mounting (fix into hoses), putting into operation, maintenance, removal and repair may be carried out by qualified experienced specialists with knowledge in pressurized piping construction only.
- 1.2 The statutory and other applicable regulations and standards have to be noticed and kept.
- 1.3 The pressure of maximum 10 bar, temperature of maximum +120 °C, the instructions of the  
> **EU-Declaration of conformity EUKE-DG-K100**  
and – if a limit switch is mounted – the instructions of the  
> **Appliance information KE-GI-... resp. the technical datas of the KE-TD-..**  
have to be noticed and kept.
- 1.4 Putting into operation and pressure admission only
- after correct building-in of the hose coupling into the delivery hose
  - after correct mounting of the coupling with thread at the tube (threaded connection) and if need by fixation with the locating screw
  - with closed coupling connection
- !!! Before pressurize the tubing make sure that the couplings are correct inserted resp. connected and
- with Storz-couplings
- is pulled to the limit stop
- with couplings according to DIN 28 450
- the clamping ring is tightened firmly and the safety lever is folded down
- with KAMLOK – couplings
- both levers are turned down to the coupling
- 1.5 **Disconnect resp. open the coupling connection only when pressure-free.**



### ATTENTION ! Danger of injuries

- If loosened and opened in pressurized condition the blank coupling, blank cap resp. closing cover or closing plug will accelerate like a bullet and may cause serious injuries and damages.
- If loosened in pressurized condition the hose will lay about one and may cause serious injuries.

- !!! Before loosen resp. open the coupling connection make sure that the tubing is pressure-free.

Depending on over pressure and hose diameter place suitable warning information.

e.g. **“Loosen only in pressure-free condition”**

- 1.6 If one of the coupling elements is damaged the pressurizing has to be shut off immediately and the tubing resp. hose line is to relieve from any pressure.

- 1.7 Elements of the coupling should be removed or demounted only in pressure-free condition.

- ▶ !!! For couplings with build-in limit switch take also notice of the safety instructions on the back.

Read and follow these safety instructions first.

## **2. Safety instructions**

for couplings with built-in limit switch

- 2.1 The installation, initial operation and maintenance may be done by a qualified expert with electrical know-how only.
- 2.2 Comply with the electrical connection take notice of the local and statutory rules and regulations and/or the VDE 0100.
- 2.3 Before electrical connection, compare the supply voltage with the details at the data plate.

for the version KE - ...

- 2.4 A fuse (with max. 4 A) has to be connected in series to the voltage supply.
- 2.5 Protect the signal contacts from voltage peaks when inductive loads are connected.

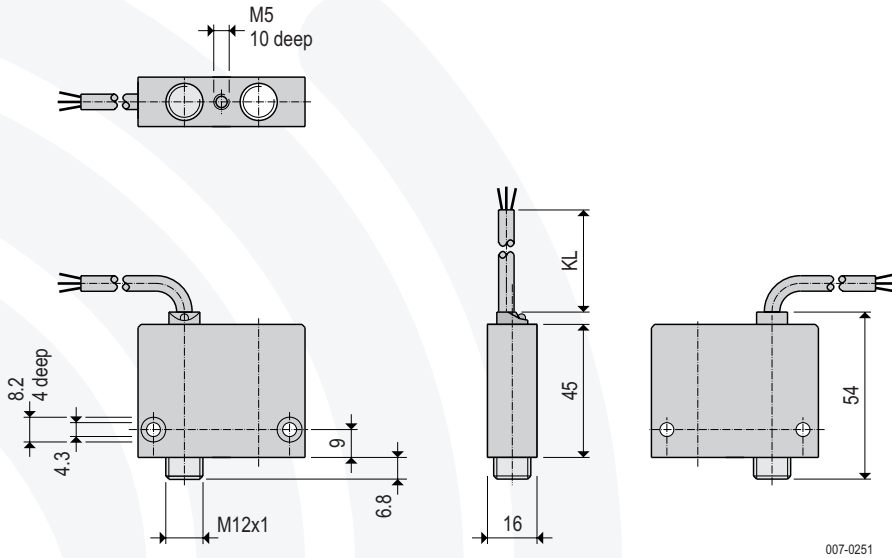
for the version KI - ...

- 2.6 A fuse (with max. 4 A) has to be connected in series to the voltage supply.

## Technical data

### Dimensions

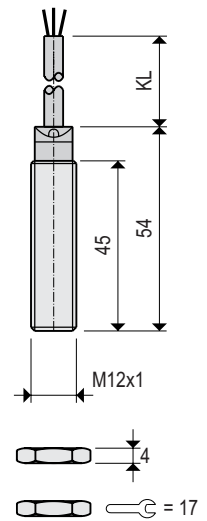
KI1XBK-BI3U-7- .



Order code	
KI1XBK-BI3U-7-2	for 2 m cable
KI1XBK-BI3U-7-5	for 5 m cable
KI1XBK-BI3U-7-0	for 10 m cable

KI-BI3U-M12AP- .

Brand TURCK  
Typw BI3U-M12-AP6X  
Ident-no. 16 341 00

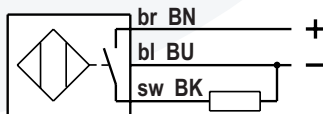


Order code	
KI-BI3U-M12AP-2	for 2 m cable
KI-BI3U-M12AP-5	for 5 m cable
KI-BI3U-M12AP-0	for 10 m cable

further technical data you can get under  
[www.turck.de](http://www.turck.de)

### Wiring connection

Cable	3 x 0.34 mm <sup>2</sup>
Cable length (KL)	2 = 2 m 5 = 5 m 0 = 10 m



TURCK BI3U

007-AP01

### Technical data

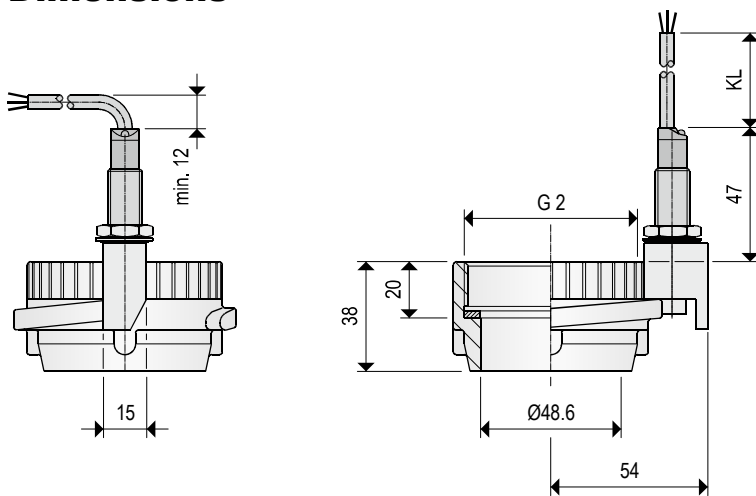
Materials	Switch active surface: CuZn, chromium plated Clamping bracket: PA12-GF30
Mounting position	any
Ambient temperature	-20 °C ... +60 °C
Supply voltage	10 ... 30 V DC
Load current capacity	≤ 200 mA, constant current
Switching function	PNP, Normally open
Type of protection	IP68/IP65 acc. to DIN EN 60529
Maintenance	none

ATEX option

B0 **Dust**  II 3D Ex tc IIIC T110 °C

## Appliance information

### Dimensions



#### Order code

Type	NG	G	W	KL
KI - VK	050	IG2	MS	2
KI - VK	050	IG2	VA	2

NG = Nominal size  
G = Thread  
W = Material  
KL = Cable length

According to Directive 2014/68/EU for pressure equipment:

Usable for hazardous gases and liquids of group 1 up to 10 bar and up to DN 100

For example in pneumatic conveyor systems with combustible dusts etc.

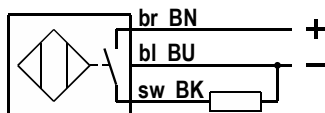
Result of the evaluation of ignition danger acc. to DIN EN ISO 80079-36:

The couplings (without switches) have no potential source of ignition on their own.

007-0211

### Wiring connection

Cable 3 x 0.34 mm<sup>2</sup>  
Cable length (KL) 2 = 2 m  
5 = 5 m  
0 = 10 m



TURCK BI3U

007-AP01

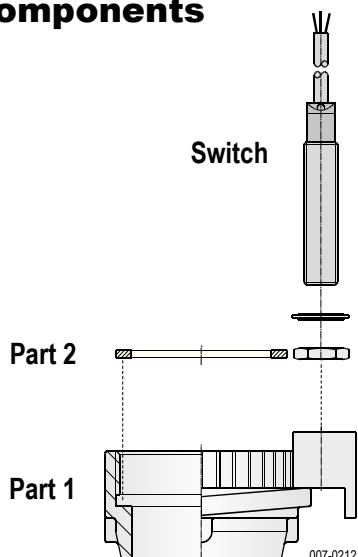
### Technical data

Materials	(W)	AL = Aluminium VA = 1.4408 / 316
Switch active surface		CuZn, chromium plated PA12-GF30
Mounting position		any
Ambient temperature		-20 °C ... +60 °C
Supply voltage		10 ... 30 V DC
Load current capacity		≥ 200 mA, constant current
Switching function		PNP, Normally open
Type of protection		IP68/IP65 acc. to DIN EN 60529
Maintenance		none

### ATEX-Option

B0 **Dust**  II 3D Ex tc IIIC T110 °C

### Components



#### Order code switch

Switch
KI - BI3U - M12 AP - 2
KI - BI3U - M12 AP - 5
KI - BI3U - M12 AP - 0

#### Order code Part 1

NG	G	W
K - FVK 050	IG2	MS E
K - FVK 050	IG2	VA E

incl. seal ring

NG = Nominal size  
G = Thread  
W = Material

#### Order code Part 2

Seal ring	Material
K-TWIG2DRG-PU	Polyurethan, blue
K-TWIG2DRG-PT	PTFE, white



# EU-Konformitätserklärung EU-Declaration of Conformity

Wir/We

**MOLLET Füllstandtechnik GmbH**

Industriepark RIO 103  
D-74706 Osterburken  
Tel. 06291 64400 Fax 06291 9846

erklären hiermit, dass die Geräte:

declare that the devices:

**Schlauch-Kupplungen** mit den elektrischen Betriebsmitteln:  
Endschalter, Codeträger, Lesekopf, Lesestation, Expanderkarte  
der Typenreihe:

**Hose couplings** with the electrical equipment:  
limit switch, code carrier, read head, read station,  
processor unit, expander card of type:

**KE ... , KI ... , KN ... , KL ... , KC ...**

**KE ... , KI ... , KN ... , KL ... , KC ...**

auf die sich diese Erklärung bezieht, den folgenden Normen  
oder normativen Dokumenten entsprechen:

to which this declaration relates is in accordance with  
the following standards or other normative documents:

**Richtlinie 2014/35/EU** (NSR-Richtlinie)  
**Richtlinie 2014/30/EU** (EMV-Richtlinie)

**Directive 2014/35/EU** (Directive LVD)  
**Directive 2014/30/EU** (Directive EMC)

und

and

**DIN EN 61010-1, DIN EN 60529**  
**DIN EN 61326-1**

**DIN EN 61010-1, DIN EN 60529**  
**DIN EN 61326-1**

Die grundlegenden Sicherheits- und Gesundheitsanforderungen werden erfüllt gemäß den Bestimmungen der Richtlinien und durch Einhaltung der Normen soweit es im Rahmen des Lieferumfanges möglich ist.

The Essential Health and Safety Requirements are assured by compliance with the directive and observance of the normative documents, as far as the scope of delivery allows.

Osterburken, 07. Januar 2019

Osterburken, January 7th 2019



Wolfgang Hageleit

Diese Erklärung darf nur unverändert  
weiterverbreitet werden.

This declaration is only allowed to  
hand out in unchanged form.



# EU-Konformitätserklärung EU-Declaration of Conformity

Wir/We

**MOLLET Füllstandtechnik GmbH**

Industriepark RIO 103  
D-74706 Osterburken  
Tel. 06291 64400 Fax 06291 9846

erklären hiermit, dass die Geräte:

declare that the devices:

**Schlauch- und Rohr-Kupplungen** der Typenreihen:

**Hose and pipe couplings** of type series:

**K...** (MOLOScode, MOLOScconnect, MOLOSwitch, MOLOSlOCK)  
aus Aluminum, Edelstahl oder Messing

**K...** (MOLOScode, MOLOScconnect, MOLOSwitch, MOLOSlOCK)  
made of aluminum, stainless steel or brass

**DN 32 bis DN 100**

**DN 32 to DN 100**

auf die sich diese Erklärung bezieht, den folgenden Normen  
oder normativen Dokumenten entsprechen:

to which this declaration relates is in accordance with  
the following standards or other normative documents:

**Richtlinie 2014/68/EU** (Druckgeräte-Richtlinie)

**Directive 2014/68/EU** (Directive Pressure Equipment)

Die grundlegenden Sicherheits- und Gesundheitsanforderungen werden erfüllt gemäß den Bestimmungen der Richtlinie.

The Essential Health and Safety Requirements are assured by compliance with the directive.

Einstufung:  
**Druckhaltendes Ausrüstungsteil**

Categorization:  
**Pressure-maintaining components**

Mediumeigenschaft nach Artikel 13:  
**Gruppe 1 - gefährlich**

Fluid group acc. to art. 13:  
**Group 1 - dangerous**

Mediumzustand:  
**gasförmig, flüssig oder staubhaltig, wenn pD >0,5 bar**

Condition of fluid:  
**gaseous, liquid or dusty, if pD >0,5 bar**

Angewendetes Konformitätsverfahren:  
**Modul A**

Applied conformity assessment procedures:  
**Modul A**

Diese Konformitätserklärung ist nur gültig in Verbindung mit den aktuellen Sicherheitshinweisen KE-SH- ..

The declaration of conformity is only valid in connection with our current safety instructions KE-SH- ..

Osterburken, 07. Januar 2019

Osterburken, January 7th 2019



Wolfgang Hageleit

Diese Erklärung darf nur unverändert  
weiterverbreitet werden.

This declaration is only allowed to  
hand out in unchanged form.