

Read and follow these safety instructions first

1. Safety instructions

- 1.1 Installation, mounting (fix into hoses), putting into operation, maintenance, removal and repair may be carried out by qualified experienced specialists with knowledge in pressurized piping construction only.
- 1.2 The statutory and other applicable regulations and standards have to be noticed and kept.
- 1.3 The pressure of maximum 10 bar, temperature of maximum +120 °C, the instructions of the
> **EU-Declaration of conformity EUKE-DG-K100**
and – if a limit switch is mounted – the instructions of the
> **Appliance information KE-GI-... resp. the technical datas of the KE-TD-..**
have to be noticed and kept.
- 1.4 Putting into operation and pressure admission only
- after correct building-in of the hose coupling into the delivery hose
 - after correct mounting of the coupling with thread at the tube (threaded connection) and if need by fixation with the locating screw
 - with closed coupling connection
- !!! Before pressurize the tubing make sure that the couplings are correct inserted resp. connected and
- with Storz-couplings
- is pulled to the limit stop
- with couplings according to DIN 28 450
- the clamping ring is tightened firmly and the safety lever is folded down
- with KAMLOK – couplings
- both levers are turned down to the coupling
- 1.5 **Disconnect resp. open the coupling connection only when pressure-free.**



ATTENTION ! Danger of injuries

- If loosened and opened in pressurized condition the blank coupling, blank cap resp. closing cover or closing plug will accelerate like a bullet and may cause serious injuries and damages.
- If loosened in pressurized condition the hose will lay about one and may cause serious injuries.

- !!! Before loosen resp. open the coupling connection make sure that the tubing is pressure-free.

Depending on over pressure and hose diameter place suitable warning information.

e.g. **"Loosen only in pressure-free condition"**

- 1.6 If one of the coupling elements is damaged the pressurizing has to be shut off immediately and the tubing resp. hose line is to relieve from any pressure.

- 1.7 Elements of the coupling should be removed or demounted only in pressure-free condition.

- ▶ !!! For couplings with build-in limit switch take also notice of the safety instructions on the back.

Read and follow these safety instructions first.

2. Safety instructions

for couplings with built-in limit switch

- 2.1 The installation, initial operation and maintenance may be done by a qualified expert with electrical know-how only.
- 2.2 Comply with the electrical connection take notice of the local and statutory rules and regulations and/or the VDE 0100.
- 2.3 Before electrical connection, compare the supply voltage with the details at the data plate.

for the version KE - ...

- 2.4 A fuse (with max. 4 A) has to be connected in series to the voltage supply.
- 2.5 Protect the signal contacts from voltage peaks when inductive loads are connected.

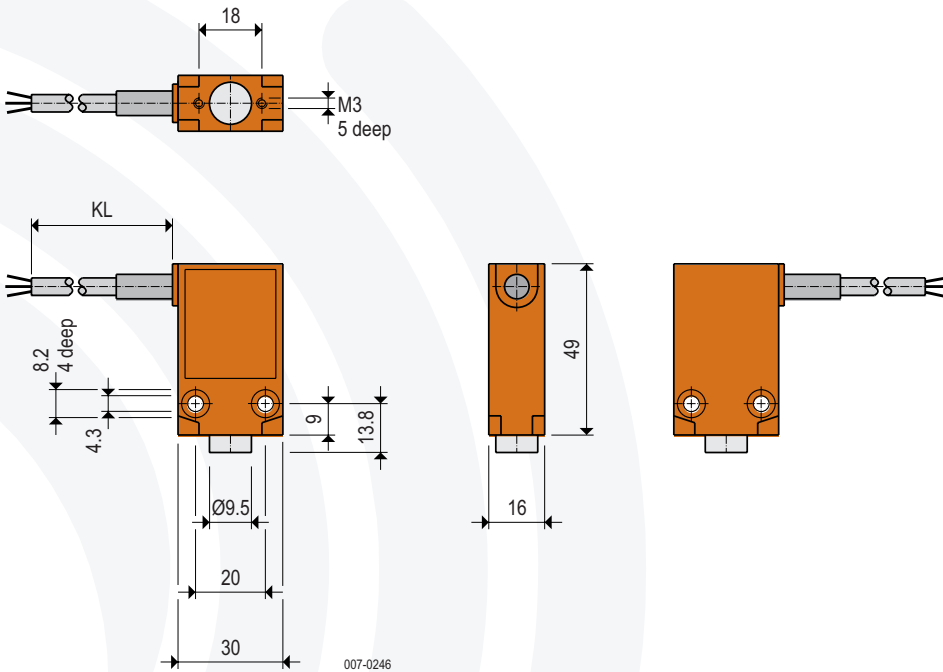
for the version KI - ...

- 2.6 A fuse (with max. 4 A) has to be connected in series to the voltage supply.

Technical data

Dimensions

KI-XCM-B356-5- .

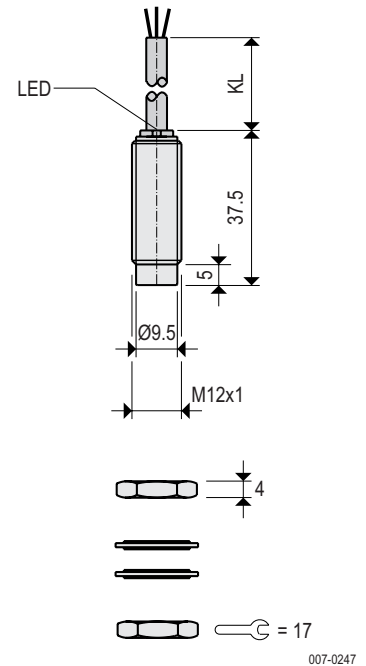


Order code

KI-XCM-B356-5-2	for 2 m cable
KI-XCM-B356-5-5	for 5 m cable
KI-XCM-B356-5-0	for 10 m cable

KI-B516-356E4- .

Brand BALLUFF
Type BES 516-356-E4-...



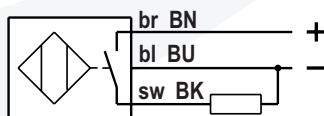
Order code

KI-B516-356E4-2	for 2 m cable
KI-B516-356E4-5	for 5 m cable
KI-B516-356E4-2	for 10 m cable

further technical data you can get under
www.balluff.de

Wiring connection

Cable	3 x 0.34 mm ²
Cable length (KL)	2 = 2 m 5 = 5 m 0 = 10 m



BALLUFF 356

007-AP01

Technical data

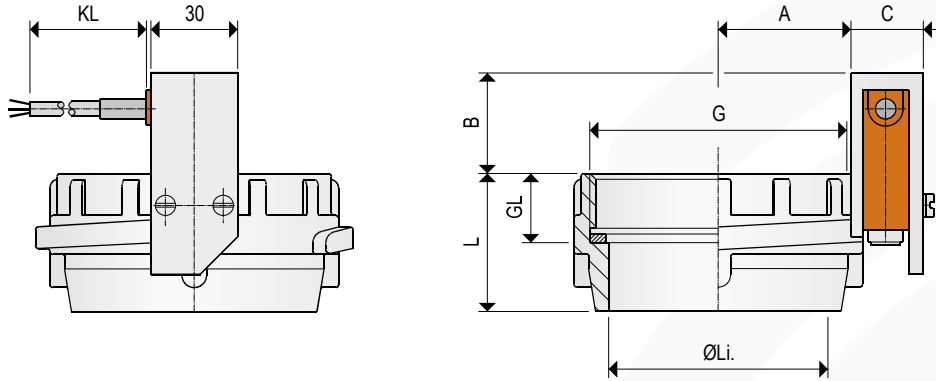
Materials	Switch active surface: CuZn, nickel plated Housing: Zn-Al alloy
Varnish coating	red
Mounting position	any
Ambient temperature	-20 °C ... +60 °C
Supply voltage	10 ... 30 V DC
Load current capacity	≤ 200 mA, constant current
Switching function	PNP, Normally open
Type of protection	IP68/IP65 acc. to DIN EN 60529
Maintenance	none

ATEX option

B0 **Dust**  II 3D Ex tc IIIB T90 °C

Appliance information

Dimensions



007-0208

Order code

Type	NG	G	W	KL	Li.	L	GL	A	B	C
KI - VK 080	IG3	AL	3		76	47	24.5	45.7	35	25
KI - VK 100	IG4	MS	3		95	47	24.5	58.5	35	30

NG = Nominal size
G = Thread
W = Material
KL = Cable length
Li. = Inner diameter

According to Directive 2014/68/EU for pressure equipment:

Usable for hazardous gases and liquids of group 1 up to 10 bar and up to DN 100

For example in pneumatic conveyor systems with combustible dusts etc.

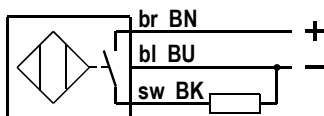
Result of the evaluation of ignition danger acc. to DIN EN ISO 80079-36:

The couplings (without switches) have no potential source of ignition on their own.

Seal ring depending on type and acc. to data sheet KE-GI-11.

Wiring connection

Cable 3 x 0.34 mm²
Cable length (KL) 3 = 3 m
5 = 5 m
0 = 10 m



BALLUFF 356

007-AP01

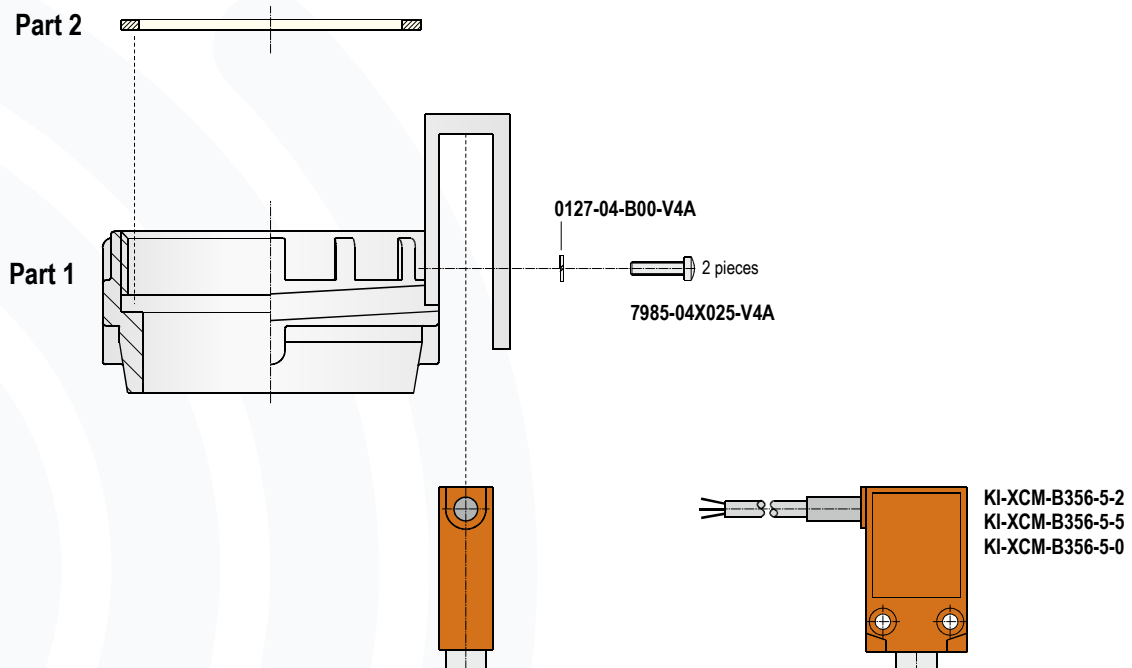
Technical data

Materials	(W)	AL = Aluminium MS = Brass VA = 1.4408 / 316
Switch active surface		CuZn, nickel plated PA12
Mounting position		any
Ambient temperature		-20 °C ... +60 °C
Supply voltage		10 ... 30 V DC
Load current capacity		≥ 130 mA, constant current
Switching function		PNP, Normally open
Type of protection		IP68/IP65 acc. to DIN EN 60529
Maintenance		none

ATEX option

B0 Dust  II 3D Ex tc IIIB T90 °C

Single parts



007-0209

Order code Part 1

	NG	G	W	
K - FVK 080	IG3	AL	E	
K - FVK 080	IG3	MS	E	
K - FVK 080	IG3	VA	E	
K - FVK 100	IG4	MS	E	
K - FVK 100	IG4	VA	E	

Order code Part 2

Seal ring	Material
K-TWIG3DRG-PU	Polyurethan, blue
K-TWIG3DRG-PU	Polyurethan, blue
K-TWIG3DRG-PT	PTFE, white
K-TWIG4DRG-PU	Polyurethan, blue
K-TWIG4DRG-PT	PTFE, white

NG = Nominal size
G = Thread
W = Material

incl. seal ring

Materials (W) AL = Aluminium
MS = Brass
VA = 1.4408 / 316



EU-Konformitätserklärung EU-Declaration of Conformity

Wir/We

MOLLET Füllstandtechnik GmbH

Industriepark RIO 103
D-74706 Osterburken
Tel. 06291 64400 Fax 06291 9846

erklären hiermit, dass die Geräte:

declare that the devices:

Schlauch-Kupplungen mit den elektrischen Betriebsmitteln:
Endschalter, Codeträger, Lesekopf, Lesestation, Expanderkarte
der Typenreihe:

Hose couplings with the electrical equipment:
limit switch, code carrier, read head, read station,
processor unit, expander card of type:

KE ... , KI ... , KN ... , KL ... , KC ...

KE ... , KI ... , KN ... , KL ... , KC ...

auf die sich diese Erklärung bezieht, den folgenden Normen
oder normativen Dokumenten entsprechen:

to which this declaration relates is in accordance with
the following standards or other normative documents:

Richtlinie 2014/35/EU (NSR-Richtlinie)
Richtlinie 2014/30/EU (EMV-Richtlinie)

Directive 2014/35/EU (Directive LVD)
Directive 2014/30/EU (Directive EMC)

und

and

DIN EN 61010-1, DIN EN 60529
DIN EN 61326-1

DIN EN 61010-1, DIN EN 60529
DIN EN 61326-1

Die grundlegenden Sicherheits- und Gesundheitsanforderungen werden erfüllt gemäß den Bestimmungen der Richtlinien und durch Einhaltung der Normen soweit es im Rahmen des Lieferumfanges möglich ist.

The Essential Health and Safety Requirements are assured by compliance with the directive and observance of the normative documents, as far as the scope of delivery allows.

Osterburken, 07. Januar 2019

Osterburken, January 7th 2019



Wolfgang Hageleit

Diese Erklärung darf nur unverändert
weiterverbreitet werden.

This declaration is only allowed to
hand out in unchanged form.



EU-Konformitätserklärung EU-Declaration of Conformity

Wir/We

MOLLET Füllstandtechnik GmbH

Industriepark RIO 103
D-74706 Osterburken
Tel. 06291 64400 Fax 06291 9846

erklären hiermit, dass die Geräte:

declare that the devices:

Schlauch- und Rohr-Kupplungen der Typenreihen:

Hose and pipe couplings of type series:

K... (MOLOScore, MOLOSconnect, MOLOSwitch, MOLOSlock)
aus Aluminum, Edelstahl oder Messing

K... (MOLOScore, MOLOSconnect, MOLOSwitch, MOLOSlock)
made of aluminum, stainless steel or brass

DN 32 bis DN 100

DN 32 to DN 100

auf die sich diese Erklärung bezieht, den folgenden Normen
oder normativen Dokumenten entsprechen:

to which this declaration relates is in accordance with
the following standards or other normative documents:

Richtlinie 2014/68/EU (Druckgeräte-Richtlinie)

Directive 2014/68/EU (Directive Pressure Equipment)

Die grundlegenden Sicherheits- und Gesundheitsanforderungen werden erfüllt gemäß den Bestimmungen der Richtlinie.

The Essential Health and Safety Requirements are assured by compliance with the directive.

Einstufung:
Druckhaltendes Ausrüstungsteil

Categorization:
Pressure-maintaining components

Mediumeigenschaft nach Artikel 13:
Gruppe 1 - gefährlich

Fluid group acc. to art. 13:
Group 1 - dangerous

Mediumzustand:
gasförmig, flüssig oder staubhaltig, wenn pD >0,5 bar

Condition of fluid:
gaseous, liquid or dusty, if pD >0,5 bar

Angewendetes Konformitätsverfahren:
Modul A

Applied conformity assessment procedures:
Modul A

Diese Konformitätserklärung ist nur gültig in Verbindung mit den aktuellen Sicherheitshinweisen KE-SH- ..

The declaration of conformity is only valid in connection with our current safety instructions KE-SH- ..

Osterburken, 07. Januar 2019

Osterburken, January 7th 2019



Wolfgang Hageleit

Diese Erklärung darf nur unverändert
weiterverbreitet werden.

This declaration is only allowed to
hand out in unchanged form.