

Differential pressure measuring instruments,
models DPG40, DPGS40 and DPS40

EN

Differenzdruckmessgeräte,
Typen DPG40, DPGS40 und DPS40

DE



DELTA-plus



Model DPG40

DELTA-comb



Model DPGS40

DELTA-switch



Model DPS40



EN	Operating instructions, DELTA-Line, models DPG40, DPGS40 and DPS40	Page	3 - 24
DE	Betriebsanleitung DELTA-Line, Typen DPG40, DPGS40 und DPS40	Seite	25 - 46

© 03/2014 WIKA Alexander Wiegand SE & Co. KG
All rights reserved. / Alle Rechte vorbehalten.
WIKA® is a registered trademark in various countries.
WIKA® ist eine geschützte Marke in verschiedenen Ländern.

Prior to starting any work, read the operating instructions!
Keep for later use!

Vor Beginn aller Arbeiten Betriebsanleitung lesen!
Zum späteren Gebrauch aufbewahren!

Contents

1. General information	4
2. Safety	5
3. Specifications	9
4. Design and function	12
5. Transport, packaging and storage	15
6. Commissioning, operation	17
7. Options and accessories	25
8. Maintenance	27
9. Dismounting, return and disposal	27
Appendix: Declarations of conformity	57

Declarations of conformity can be found online at www.wika.com.

1. General information

- The instrument described in the operating instructions have been designed and manufactured using state-of-the-art technology. All components are subject to stringent quality and environmental criteria during production. Our management systems are certified to ISO 9001 and ISO 14001.
- These operating instructions contain important information on handling the instrument. Working safely requires that all safety instructions and work instructions are observed.
- Observe the relevant local accident prevention regulations and general safety regulations for the instrument's range of use.
- The operating instructions are part of the product and must be kept in the immediate vicinity of the instrument and readily accessible to skilled personnel at any time.
- Skilled personnel must have carefully read and understood the operating instructions prior to beginning any work.
- The manufacturer's liability is void in the case of any damage caused by using the product contrary to its intended use, non-compliance with these operating instructions, assignment of insufficiently qualified skilled personnel or unauthorised modifications to the instrument.
- The general terms and conditions contained in the sales documentation shall apply.
- Subject to technical modifications.
- Further information:
 - Internet address: www.wika.de / www.wika.com
 - Relevant data sheets: PM 07.20, PV 27.20, PV 27.21
 - For Ex versions: Additional Informations for hazardous areas

Explanation of symbols



WARNING!

... indicates a potentially dangerous situation that can result in serious injury or death, if not avoided.



Information

... points out useful tips, recommendations and information for efficient and trouble-free operation.

2. Safety



WARNING!

Before installation, commissioning and operation, ensure that the appropriate instrument has been selected in terms of measuring range, design and specific measuring conditions.

Check the compatibility with the medium of the materials subjected to pressure!

In order to guarantee the measuring accuracy and long-term stability specified, the corresponding load limits must be observed.

Only work on the gauge with the voltage disconnected.

Non-observance can result in serious injury and/or damage to the equipment.



Further important safety instructions can be found in the individual chapters of these operating instructions.

2.1 Intended use

The differential pressure measuring instruments of the DELTA-line product family are primarily used for the monitoring and control of low differential pressures where there are high requirements in terms of one-sided overpressure and static pressure.

Typical markets for these products are the shipbuilding industry, process heating technology, the heating, ventilation and air-conditioning industries, the water/wastewater industry, and machine building and plant construction. For these, the main function of the measuring instruments is the monitoring and control of filters, compressors and pumps.

Classification per European pressure equipment directive

- Instrument type: Pressure accessory without safety function
- Media: Liquid or gaseous, group 1 (dangerous)
- Maximum permissible pressure PS, see chapter 2.4 "Labelling / safety marks"
- Volume: < 0.1 l

The instrument has been designed and built solely for the intended use described here, and may only be used accordingly.

The manufacturer shall not be liable for claims of any type based on operation contrary to the intended use.

2.2 Personnel qualification

**WARNING!****Risk of injury should qualification be insufficient!**

Improper handling can result in considerable injury and damage to equipment.

The activities described in these operating instructions may only be carried out by skilled personnel who have the qualifications described below.

Skilled personnel

Skilled personnel are understood to be personnel who, based on their technical training, knowledge of measurement and control technology and on their experience and knowledge of country-specific regulations, current standards and directives, are capable of carrying out the work described and independently recognising potential hazards.

2.3 Special hazards

**WARNING!**

For hazardous media such as oxygen, acetylene, flammable or toxic gases or liquids, and refrigeration plants, compressors, etc., in addition to all standard regulations, the appropriate existing codes or regulations must also be followed.

**WARNING!**

Residual media in dismantled measuring instruments can result in a risk to persons, the environment and equipment.
Take sufficient precautionary measures.

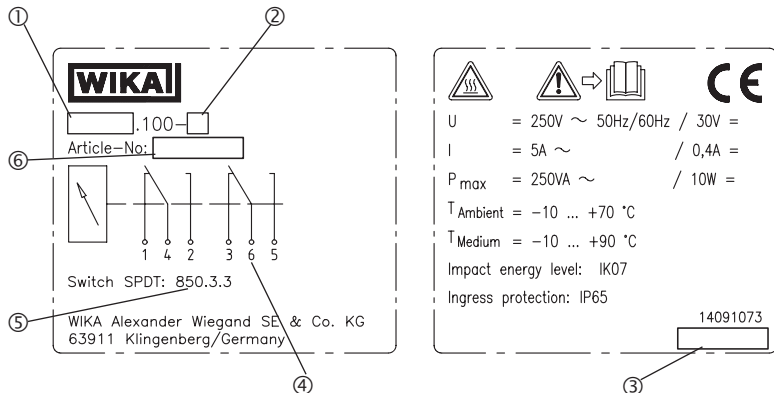
**WARNING!**

The maximum surface temperature of the instrument may not exceed the ignition temperature of flammable media.
Take sufficient precautionary measures.

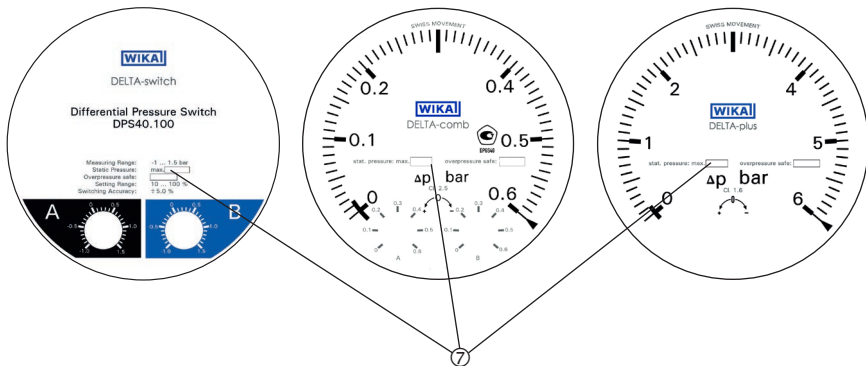
2. Safety

2.4 Labelling, safety marks

Product label (only models DPS40 und DPGS40)



Dial (examples)



- ① Model
- ② Code: E = Single micro switch 850.3
D = Double micro switch 850.3.3
- ③ Date of manufacture
- ④ Pin assignment
- ⑤ Contact model
- ⑥ Article number
- ⑦ Maximal permissible pressure PS per European Pressure Equipment Directive

Explanation of symbols



Before mounting and commissioning the instrument, ensure you read the operating instructions!

EN



CE, Communauté Européenne

Instruments bearing this mark comply with the relevant European directives.



Risk of burns!

Potentially dangerous situation caused by hot surfaces.

Due to the maximum permissible process temperature of 90 °C, measuring cells, adapters, valves or other attachment parts can reach a temperature of 90 °C.

3. Specifications

3. Specifications

The insulation values (air gaps and creepage distances) are sized for the following ambient conditions per EN 61010-1:2010.

- Altitude up to 2,000 m
- Overvoltage category II
- Pollution degree 2
- Relative humidity 0 ... 95 % non-condensing (per DIN 40040)

The strength of the measuring instruments (enclosing, non-metallic components) was tested with a reduced impact energy of 2 J corresponding to IK07 in accordance with EN 61010-1:2010. The IK code is included on the respective product label.

EN

Specifications	DELTA-plus model DPG40 and DELTA-comb model DPGS40
Nominal size	Differential pressure indication: Ø 100 mm Working pressure indication: Ø 22 mm
Accuracy	Differential pressure indication: ≤ 2.5 % of span (option ≤ 1.6 %) Working pressure indication: ≤ 4 % of span
Scale ranges (EN 837)	Differential pressure: 0 ... 0.16 to 0 ... 10 bar for model DPG40 Differential pressure: 0 ... 0.25 to 0 ... 10 bar for model DPGS40 Working pressure: 0 ... 25 bar
Max. working pressure (stat.)	25 bar
Overload safety	Max. 25 bar On one, both and alternatingly on the ⊕ and ⊖ side
Permissible temperatures	Ambient: -10 ... +70 °C, medium: -10 ... +90 °C Storage: -40 ... +70 °C
Ingress protection	IP65 per EN/IEC 60529
Measuring chamber (wetted)	Aluminium, EN AC-Al Si9Cu3(Fe), black lacquered (option: Stainless steel)
Process connections (wetted)	2 x G 1/4 female, lower mount (LM), in-line, centre distance 26 mm
Pressure elements (wetted)	Differential pressure: Compression springs from stainless steel 1.4310 and separating diaphragm from FPM/FKM (option: NBR) Working pressure: Bourdon tube from Cu-alloy
Transmission parts (wetted)	Stainless steel 1.4301, 1.4305, 1.4310, FPM/FKM (option: NBR)
Sealings (wetted)	FPM/FKM (option: NBR)
Movement	Copper alloy

3. Specifications

Specifications	DELTA-plus model DPG40 and DELTA-comb model DPGS40
Dial	Differential and working pressure indication: White dial, black lettering
Pointer	Differential and working pressure indication: Blue pointer
Zero point setting for differential pressure indication	Via screw in the dial
Display case	Aluminium, EN AC–Al Si9Cu3(Fe), black lacquered
Window	Plastic, plug screw for zero point adjustment; plug screw(s) for switch point setting for model DPGS40
Weight	approx. 1.3 kg

Specifications	DELTA-switch model DPS40
Case diameter	100 mm
Differential pressure measuring ranges	0 ... 0.25 to 0 ... 10 bar
Max. working pressure (stat.)	25 bar
Overpressure safety	Max. 25 bar On one, both and alternatingly on the \oplus and \ominus side
Permissible temperature	Ambient: -10 ... +70 °C, medium: -10 ... +90 °C Storage: -40 ... +70 °C
Ingress protection	IP65 per EN/IEC 60529
Measuring Chamber (wetted)	Aluminium, EN AC–Al Si9Cu3(Fe), black lacquered
Process connections (wetted)	2 x G 1/4 female, lower mount (LM), in-line, centre distance 26 mm
Pressure elements (wetted)	Differential pressure: Compression springs from stainless steel 1.4310 and separating diaphragm from FPM/FKM (option: NBR)
Transmission parts (wetted)	Stainless steel 1.4301, 1.4305, 1.4310, FPM/FKM (option: NBR)
Sealings (wetted)	FPM/FKM (option: NBR)
Display case	Aluminium, EN AC–Al Si9Cu3(Fe), black lacquered
Window	Plastic, with plug screw for switch point adjustment
Weight	approx. 1.4 kg

3. Specifications

Electrical contact	
Type of contact	Micro switch
Contact function	
Single change-over	Contact type 850.3
Double change-over	Contact type 850.3.3
Load data	
U max., I max., P max.	AC 250 V, 5 A, 250 VA DC 30 V, 0.4 A, 10 W
Switch point setting	from the outside at assistant scale by means of adjustment screw(s)
Setting range	from 10 % to 100 % of the full scale value
Switch point reproducibility	≤ 1.6 %
Switch hysteresis	max. 5 % of the full scale value (option: max. 2.5 %)
Electrical connection	Cable gland M20 x 1.5 with 1 m free cable

EN

For further specifications see the corresponding product label, WIKA data sheet and the order documentation.

For models with optional explosion protection read the “Additional information for hazardous areas (Ex i), models DPS40, DPGS40, DPGS40TA und DPGT40”, article number 14110818.

For model DPG40 with optional explosion protection read additional information article number 14110816.

4. Design and function

4.1 Description

DELTA-plus model DPG40

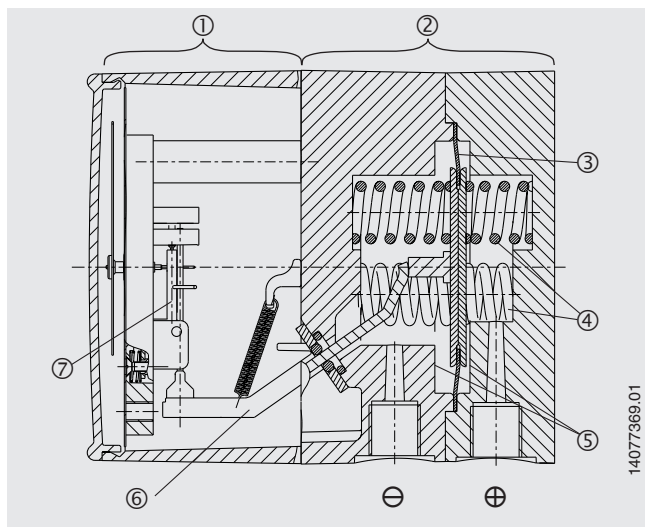
The display case (1) is connected directly with the measuring chamber (2) and the process connections integrated in it.

Pressures p_1 and p_2 act on the media chambers \oplus and \ominus , which are separated by an elastic diaphragm (3).

The differential pressure ($\Delta p = p_1 - p_2$) leads to an axial deflection of the diaphragm against the measuring range springs (4).

The deflection, which is proportional to the differential pressure, is transmitted to the movement (7) in the display case via a pressure-tight and low-friction rocker arm (6).

Overload safety is provided by metal bolsters (5) resting against the elastic diaphragm.



4. Design and function

DELTA-comb model DPGS40

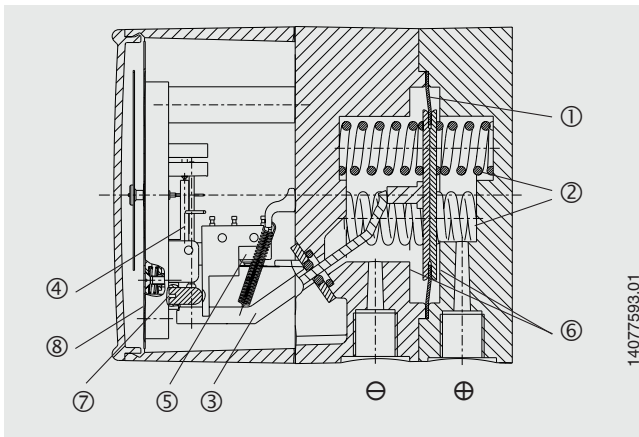
Pressures p_1 and p_2 act on the media chambers \oplus and \ominus , which are separated by an elastic diaphragm (1).

The differential pressure ($\Delta p = p_1 - p_2$) leads to an axial deflection of the diaphragm against the measuring range springs (2).

The deflection, which is proportional to the differential pressure, is transmitted to the movement (4) in the indicating case and to the leaf springs of the micro switches (5) via a pressure-tight and low friction rocker arm (3).

Overpressure safety is provided by metal bolsters (6) resting against the elastic diaphragm.

The adjustment of the switch point is made by the adjustment screws accessible from the front (7). The assistant scales (8) simplify the setting of the switch points.



4. Design and function

DELTA-switch model DPS40

Pressures p_1 and p_2 act on the media chambers \oplus and \ominus , which are separated by an elastic diaphragm (1).

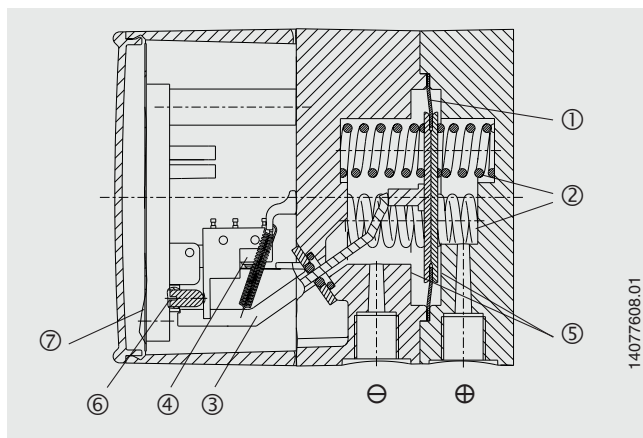
The differential pressure ($\Delta p = p_1 - p_2$) leads to an axial deflection of the diaphragm against the measuring range springs (2).

EN

The deflection, which is proportional to the differential pressure, is transmitted to the leaf springs of the micro switches (4) in the switch case via a pressure-tight and low-friction rocker arm (3).

Overpressure safety is provided by metal bolsters (5) resting against the elastic diaphragm.

The adjustment of the switch point is made by the adjustment screws accessible from the front (6). The assistant scales (7) simplify the setting of the switch points.



4.2 Scope of delivery

Cross-check scope of delivery with delivery note.

5. Transport, packaging and storage

5.1 Transport

Check the instrument for any damage that may have been caused by transport. Obvious damage must be reported immediately.

5.2 Packaging

Do not remove packaging until just before mounting.

Keep the packaging as it will provide optimum protection during transport (e.g. change in installation site, sending for repair).

5.3 Storage

Permissible conditions at the place of storage

Storage temperature: -40 ... +70 °C

In order to prevent damage, the following points should be noted for the storage of the instruments:

- Leave the instruments in their original packaging
- Following any possible removal of the measuring instruments, e.g. for testing, the instrument should again be stored in its original packaging

Avoid exposure to the following factors:

- Direct sunlight or proximity to hot objects
- Mechanical vibration, mechanical shock (putting it down hard)
- Soot, vapour, dust, humidity and corrosive gases
- Potentially explosive environments, flammable atmosphere



WARNING!

Before storing the instrument, any residual media must be removed. This is of particular importance if the medium is hazardous to health, e.g. caustic, toxic, carcinogenic, radioactive, etc.

6. Commissioning, operation

6.1 Mechanical connection

- In accordance with the general technical regulations for pressure gauges (e.g. EN 837-2 "Selection and installation recommendations for pressure gauges").
- Mounting of the pressure connections according to affixed symbols, \oplus high pressure, \ominus low pressure
- Mounting by means of:
 - rigid measuring line or
 - wall mounting with available mounting links
- Process connections 2 x G 1/4 female, lower mount (LM), in-line, centre distance 26 mm, operating position NL 90 (nominal position) per DIN 16257 (i.e. vertical dial), design the threads of the pressure connection in accordance with EN 837-3 (section 7.3.2).
- Prior to the installation of the instrument, clean the measuring lines thoroughly by tapping and blowing or rinsing
- Protect measuring instruments from contamination and high temperature changes!
- The instrument must be mounted free from vibration and should be aligned so that it is easy to read. It is recommended that an isolation device is interposed between the pressure tapping point and the instrument, which will enable the replacement of the instrument and a zero point check while the plant is running. The instruments should be protected against coarse dirt and wide fluctuations in ambient temperature.
- Correct sealing of the connections must be made using suitable flat gaskets, sealing rings or WIKA profile sealings. In order to orientate the gauge so that the on-site display can be read as well as possible, a clamp socket or union nut should be used. When screwing on and unscrewing the instruments they should not be gripped by the case, but rather only on the spanner flats of the connection!

Wall mounting

Mounting using three integrally cast mounting lugs

Temperature load



WARNING!

In the final application, it must be ensured that the instrument, even with medium temperatures $> 70\text{ }^{\circ}\text{C}$, is not heated to over $70\text{ }^{\circ}\text{C}$.

When mounting the instrument, care should be taken that the permissible operating temperature of the measuring instrument is maintained, considering the effects of convection and thermal radiation!

For this the instrument and the shut-off valve must be protected by sufficiently long measuring lines or syphons.

The influence of temperature on the indication and measuring accuracy must be observed.









The effective maximum surface temperature is not only dependant upon these instruments, but mainly on the respective medium temperature! With gaseous substances, the temperature may increase as a result of compression warming.

In these cases it may be necessary to throttle the rate of change of pressure or reduce the permissible medium temperature.

6. Commissioning, operation

Measuring assemblies

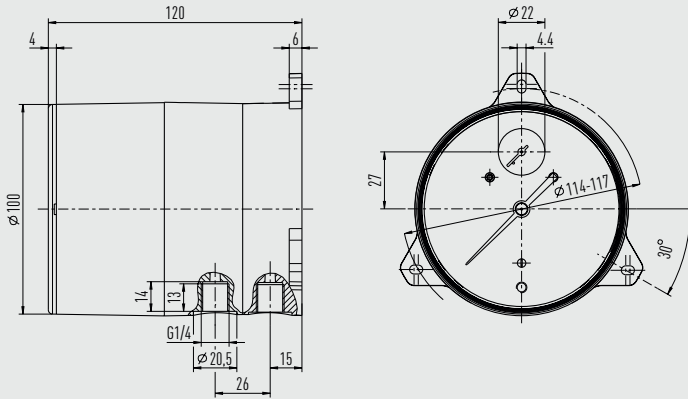
Proven measuring assemblies for various types of media. The assemblies that are particularly recommended for use are shown below.

	Liquid media			Gaseous media		
	liquid	liquid with vapour	completely vapourised	gaseous	partially condensed (damp)	completely condensed
Filling of the measuring line						
Examples	condensate	boiling liquids	"liquid gases"	dry air	moist air flue gases	steam
Pressure gauge above the tapping point						
Pressure gauge below the tapping point						

6. Commissioning, operation

Dimensions in mm

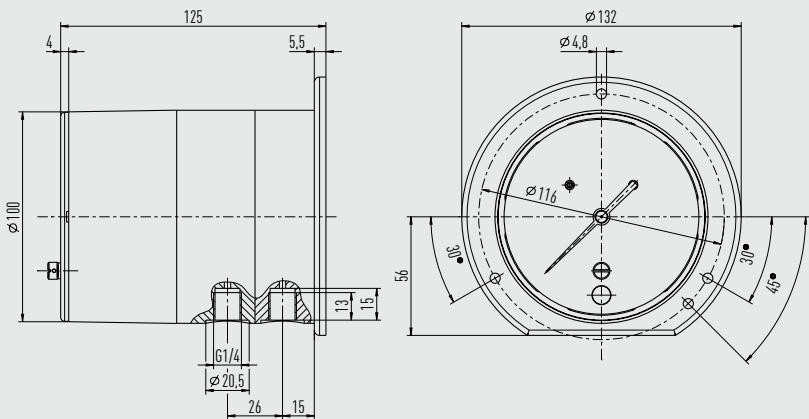
DELTA-plus, model DPG40 with aluminium measuring chamber



14077751.01

EN

DELTA-plus, model DPG40 with stainless steel measuring chamber

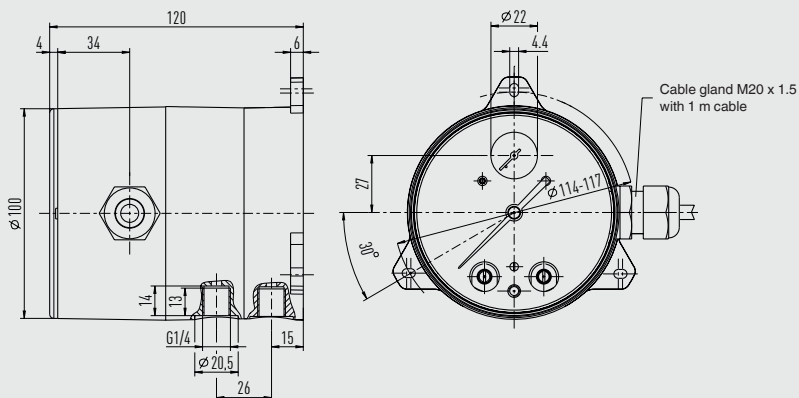


14412474.01

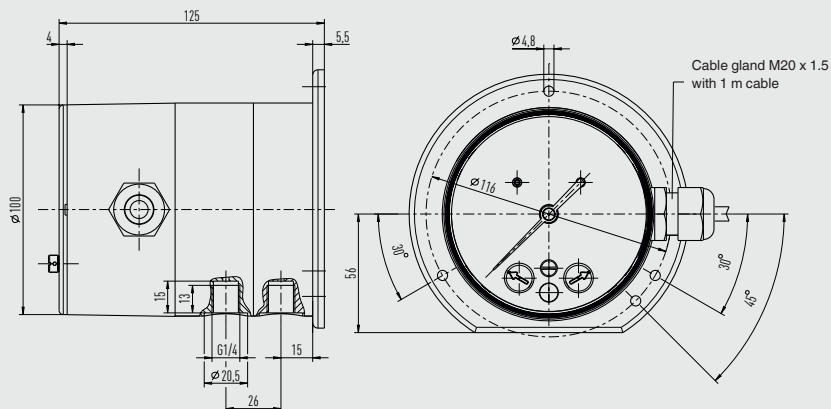
14093265.06 08/2020 EN/DE

6. Commissioning, operation

DELTA-comb, model DPGS40 with aluminium measuring chamber

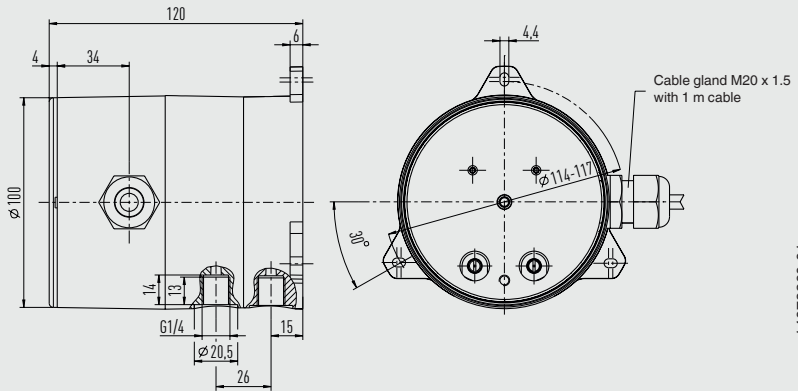


DELTA-comb, model DPGS40 with stainless steel measuring chamber



6. Commissioning, operation

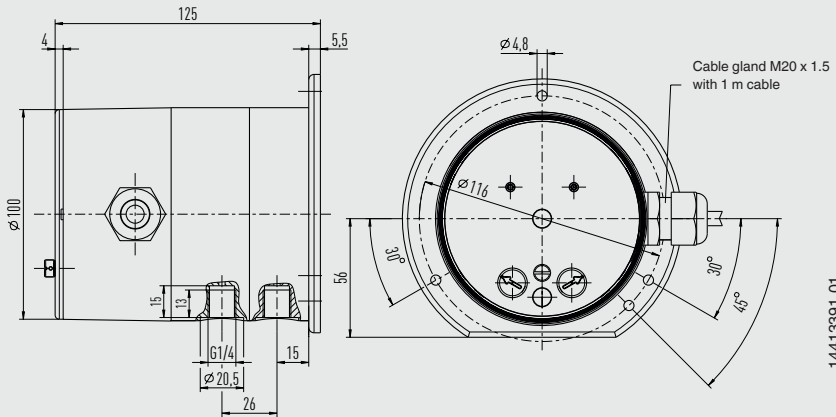
DELTA-switch, model DPS40 with aluminium measuring chamber



EN

14078260.01

DELTA-switch, model DPS40 with stainless steel measuring chamber



14413391.01

14093265.06 08/2020 EN/DE

Measuring assemblies

The preferred measuring assemblies for various possible applications are specified in DIN 19216.

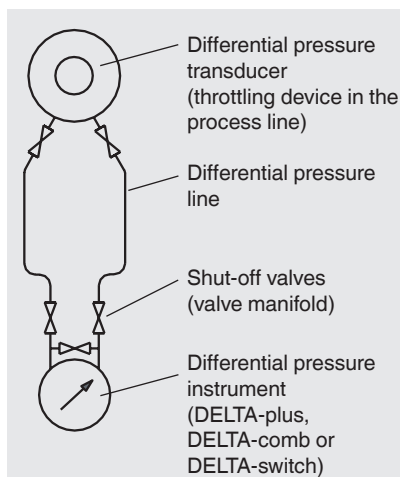
The following schematic diagram shows a recommended assembly for liquid media. As throttling devices, differential pressure transducers should be provided in accordance with DIN 1952 (issue 07.82), now replaced by EN 5167/1.

The differential pressure lines must be made from metal, their bore must not be less than 4 mm and the effective length between the valve manifold and the differential pressure measuring instrument must be at least 500 mm.

In addition, the length and the bore of the pressure lines should be such that, with cold lines, the response time of the differential pressure instrument is not more than 5 seconds.

The connections of the differential pressure lines must be welded, brazed or screwed using metal sealing elements.

Shut-off valves in differential pressure lines must only be operated using tools.



6.2 Electrical connection

(applies to models DELTA-comb and DELTA-switch)

- The electrical connection must only be made by qualified skilled personnel.
- Connection details and switching functions are given on the product label. Connection terminals and ground terminal are appropriately marked.
- The mains connection lines to be provided must be dimensioned for maximum instrument current supply and comply with IEC 227 or IEC 245.
- The instruments must be connected to the equipotential bonding of the plant.

Performance data (see chapter 3 “Specifications”)

Safety instructions for installation



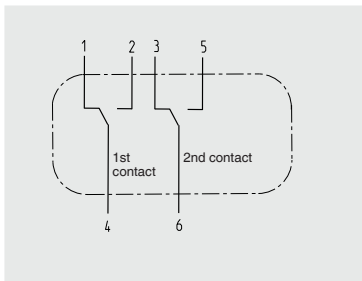
- Follow the installation and safety instructions within the operating instructions.
- Install instruments in accordance with the manufacturer's instructions and the valid standards and regulations.
- The instruments do not provide for incorporated overcurrent protectors!
- In order to prevent the contacts from welding through overload, suitable protection systems must be implemented by the operator!
- Only connect circuits with the same voltage and type of protection to the switch contacts and connecting cables.
- Limit the maximum current, using external measures, to a value of AC 250 V, 5 A, with resistive load, per circuit.
- Size the connecting cables for the largest current strength in the circuits.

EN

The exact information for the pin assignment and the required power supply are stated on the product label on the case circumference. Examples of pin assignments are shown below.

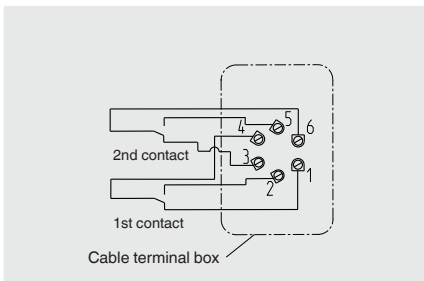
Example, pin assignment 1:

- Cable gland and cable



Example, pin assignment 2:

- Cable socket or angular connector per DIN 43651



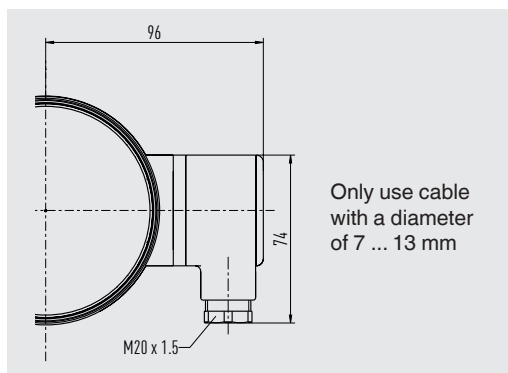
Information

For the safety circuit, which will switch off the heating if the steam generator falls below the minimum flow, only the normally open contact of the changeover switch should be connected (i.e. with $\Delta p = 0$ open circuit!)

6. Commissioning, operation

- Voltages greater than AC 50 V or DC 75 V:
 - Do not connect circuits simultaneously with extra-low voltage circuits or with safety extra-low voltage (SELV) or protected extra-low voltage (PELV).
 - Circuits must offer a device, external to the measuring instrument, that enables the instrument to be isolated from the electrical supply. This must be easily accessible and be marked as the isolation device for the instrument.
 - Cables for the circuit must fulfil the isolation requirements and conform to, for example, IEC 60227 or IEC 60245.
- With flexible connecting cables, use isolated end splices.
- Connecting cables must be suited to the ambient temperature range of the application.
- Seal the cable entry with the appropriate approved cable glands.

Cable socket design



- Install the connection cables securely.

Switch point and zero point setting

The switch point and zero point setting is made by adjustment screws in the front, which, depending on the instrument model, are accessible by loosening the window or the locking screws.

By turning the adjustment screw using a screwdriver the desired zero point is set.

The switch points are set at the factory when the set points are given. An assistant scale simplifies the setting of the switch point.

If an accurate switch point setting is required, a reference standard should be used for the adjustment.

Commissioning

During the commissioning process pressure surges must be avoided at all costs. Open the shut-off valves slowly.

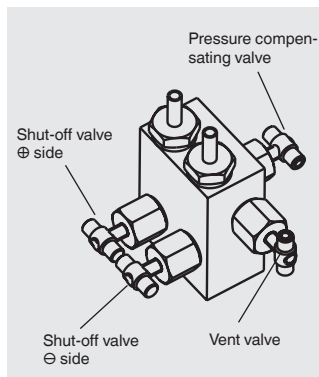
7. Options and accessories

7.1 4-way valve manifold

- Isolation of the \oplus and \ominus process lines for **removing** or **testing** the measuring instrument without interrupting the running process operation.

Protection of the instrument against excessive overpressure loading, such as in pressure tests and undefined operating conditions (including intermittent shutdown).

- Pressure compensation for **zero point checking** with running processes, and avoiding one-sided overpressure loading during start-up and operation phases (with opened pressure compensating valve).
- **Venting** the measuring lines with liquid media and **flushing** of the measuring lines, in order to remove contamination.

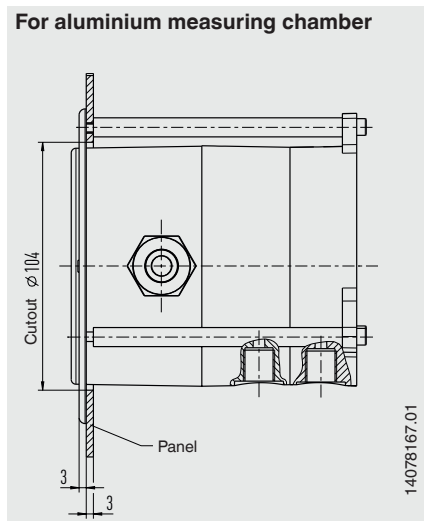


Specifications for handling

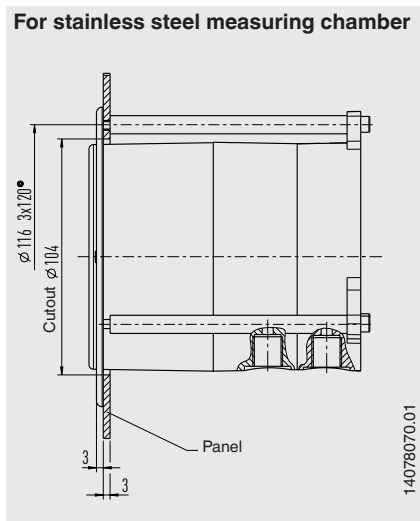
- Sequence of operations to start measurement
 1. Open the pressure compensating valve (middle valve spindle)
 2. Open the shut-off valve for the negative media chamber (\ominus , right-hand valve) and the positive media chamber (\oplus , left-hand valve)
 3. Close the pressure compensating valve
- Sequence of operations to flush/vent the measuring lines
 1. Start: Open the shut-off valve for the \oplus and \ominus media chamber, open the pressure compensating valve and vent valve
 2. Finish: Close the pressure compensating valve and vent valve
- Sequence of operations to finish measurement (also temporary shutdown)
 1. Open the pressure compensating valve
 2. Close the shut-off valve for the \oplus and \ominus media chamber
- Sequence of operations to dismount the measuring instrument with a running process
 1. Close the shut-off valve for the \oplus and \ominus media chamber
 2. Open the vent valve

7.2 Panel mounting flange

For aluminium measuring chamber



For stainless steel measuring chamber



8. Maintenance

The instruments are maintenance-free.

The indicator and switching function should be checked once or twice every year. For this the instrument must be disconnected from the process to check with a pressure testing device.

Repairs must only be carried out by the manufacturer.

9. Dismounting, return and disposal



WARNING!

Residual media in dismantled measuring instruments can result in a risk to persons, the environment and equipment. Take sufficient precautionary measures.

9.1 Dismounting

Only disconnect the measuring instrument once the system has been depressurised and the power disconnected!

If necessary, the measuring line must have strain relief.

9.2 Return

Wash or clean the dismantled measuring instrument before returning it, in order to protect personnel and the environment from exposure to residual media.

9.3 Disposal

Incorrect disposal can put the environment at risk. Dispose of instrument components and packaging materials in an environmentally compatible way and in accordance with the country-specific waste disposal regulations.

Inhalt

1.	Allgemeines	30
2.	Sicherheit	31
3.	Technische Daten	35
4.	Aufbau und Funktion	38
5.	Transport, Verpackung und Lagerung	41
6.	Inbetriebnahme, Betrieb	43
7.	Optionen und Zubehör	51
8.	Wartung	53
9.	Demontage, Rücksendung und Entsorgung	53
	Anlage: Konformitätserklärungen	57

Konformitätserklärungen finden Sie online unter www.wika.de.

1. Allgemeines

- Das in der Betriebsanleitung beschriebene Gerät wird nach den neuesten Erkenntnissen konstruiert und gefertigt. Alle Komponenten unterliegen während der Fertigung strengen Qualitäts- und Umweltkriterien. Unsere Managementsysteme sind nach ISO 9001 und ISO 14001 zertifiziert.
- Diese Betriebsanleitung gibt wichtige Hinweise zum Umgang mit dem Gerät. Voraussetzung für sicheres Arbeiten ist die Einhaltung aller angegebenen Sicherheitshinweise und Handlungsanweisungen.
- Die für den Einsatzbereich des Gerätes geltenden örtlichen Unfallverhütungsvorschriften und allgemeinen Sicherheitsbestimmungen einhalten.
- Die Betriebsanleitung ist Produktbestandteil und muss in unmittelbarer Nähe des Gerätes für das Fachpersonal jederzeit zugänglich aufbewahrt werden.
- Das Fachpersonal muss die Betriebsanleitung vor Beginn aller Arbeiten sorgfältig durchgelesen und verstanden haben.
- Die Haftung des Herstellers erlischt bei Schäden durch bestimmungswidrige Verwendung, Nichtbeachten dieser Betriebsanleitung, Einsatz ungenügend qualifizierten Fachpersonals sowie eigenmächtiger Veränderung am Gerät.
- Es gelten die allgemeinen Geschäftsbedingungen in den Verkaufsunterlagen.
- Technische Änderungen vorbehalten.
- Weitere Informationen:
 - Internet-Adresse: www.wika.de / www.wika.com
 - zugehörige Datenblätter: PM 07.20, PV 27.20, PV 27.21
 - Für Ex-Ausführungen: Zusatzinformationen für explosionsgefährdete Bereiche

Symbolerklärung



WARNUNG!

... weist auf eine möglicherweise gefährliche Situation hin, die zum Tod oder zu schweren Verletzungen führen kann, wenn sie nicht gemieden wird.



Information

... hebt nützliche Tipps und Empfehlungen sowie Informationen für einen effizienten und störungsfreien Betrieb hervor.

2. Sicherheit



WARNUNG!

Vor Montage, Inbetriebnahme und Betrieb sicherstellen, dass das richtige Differenzdruckmessgerät hinsichtlich Ausführung und spezifischen Messbedingungen ausgewählt wurde.

Verträglichkeit der druckbelasteten Werkstoffe mit dem Messstoff prüfen!

Die Belastungsgrenzen sind einzuhalten, um die Messgenauigkeit und die Lebensdauer zu gewährleisten.

Alle Arbeiten dürfen nur im spannungslosen Zustand erfolgen.

Bei Nichtbeachten können schwere Körperverletzungen und/oder Sachschäden auftreten.



Weitere wichtige Sicherheitshinweise befinden sich in den einzelnen Kapiteln dieser Betriebsanleitung.

2.1 Bestimmungsgemäße Verwendung

Die Differenzdruckmessgeräte der Produktfamilie DELTA-line werden vorzugsweise zur Überwachung und Steuerung von niedrigen Differenzdrücken mit hohen Anforderungen an einseitige Überlast und statischem Druck eingesetzt.

Typische Märkte dieser Produkte sind die Schiffsindustrie, Prozesswärmetechnik, Heizungs-, Klima-, Lüftungstechnik, Wasser-/Abwasserindustrie und Maschinen- und Anlagenbau. Hier ist die Hauptaufgabe der Messgeräte die Überwachung und Steuerung von Filtern, Kompressoren und Pumpen.

Klassifizierung nach europäischer Druckgeräte richtlinie

- Geräteart: Druckhaltendes Ausrüstungsteil ohne Sicherheitsfunktion
- Messstoffe: Flüssig oder gasförmig, Gruppe 1 (gefährlich)
- Maximal zulässiger Druck PS, siehe Kapitel 2.4 „Beschilderung / Sicherheitskennzeichnungen“
- Volumen: < 0,1 L

Das Gerät ist ausschließlich für den hier beschriebenen bestimmungsgemäßen Verwendungszweck konzipiert und konstruiert und darf nur dementsprechend verwendet werden.

Ansprüche jeglicher Art aufgrund von nicht bestimmungsgemäßer Verwendung sind ausgeschlossen.

2.2 Personalqualifikation



WARNUNG!

Verletzungsgefahr bei unzureichender Qualifikation!

Unsachgemäßer Umgang kann zu erheblichen Personen- und Sachschäden führen.

Die in dieser Betriebsanleitung beschriebenen Tätigkeiten nur durch Fachpersonal nachfolgend beschriebener Qualifikation durchführen lassen.

DE

Fachpersonal

Das Fachpersonal ist aufgrund seiner fachlichen Ausbildung, seiner Kenntnisse der Mess- und Regelungstechnik und seiner Erfahrungen sowie Kenntnis der landesspezifischen Vorschriften, geltenden Normen und Richtlinien in der Lage, die beschriebenen Arbeiten auszuführen und mögliche Gefahren selbstständig zu erkennen.

2.3 Besondere Gefahren



WARNUNG!

Bei gefährlichen Messstoffen wie z. B. Sauerstoff, Acetylen, brennbaren oder giftigen Stoffen, sowie bei Kälteanlagen, Kompressoren etc. müssen über die gesamten allgemeinen Regeln hinaus die jeweils bestehenden einschlägigen Vorschriften beachtet werden.



WARNUNG!

Messstoffreste in ausgebauten Messgeräten können zur Gefährdung von Personen, Umwelt und Einrichtung führen. Ausreichende Vorsichtsmaßnahmen ergreifen.

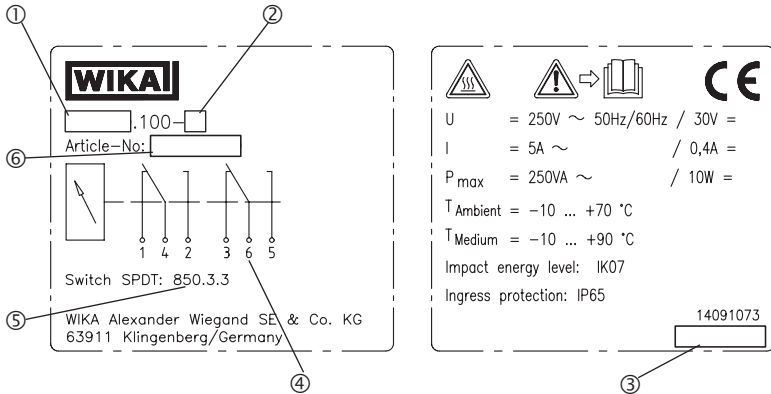


WARNUNG!

Die maximale Oberflächentemperatur des Gerätes darf die Zündtemperatur brennbarer Messstoffe nicht überschreiten. Ausreichende Vorsichtsmaßnahmen ergreifen.

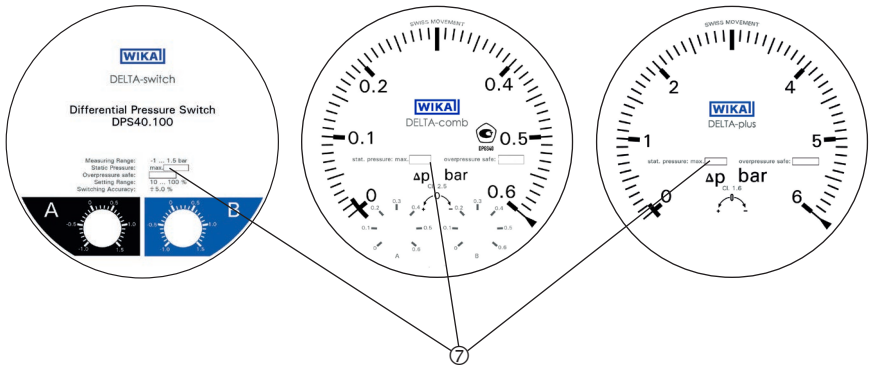
2.4 Beschilderung, Sicherheitskennzeichnungen

Typenschild (nur Typen DPS40 und DPGS40)



DE

Zifferblatt (Beispiele)



Symbolerklärung



Vor Montage und Inbetriebnahme des Gerätes unbedingt die Betriebsanleitung lesen!



CE, Communauté Européenne

Geräte mit dieser Kennzeichnung stimmen überein mit den zutreffenden europäischen Richtlinien.

DE



Verbrennungsgefahr!

Möglicherweise gefährliche Situation durch heiße Oberflächen.

Aufgrund der maximal zulässigen Prozesstemperatur von 90 °C können Messzellen, Anschlussstücke, Ventile oder sonstige Anbauteile eine Temperatur von 90 °C erreichen.

3. Technische Daten

Die Isolationswerte (Luft -und Kriechstrecken) sind gemäß EN 61010-1:2010 für folgende Umgebungsbedingungen bemessen:

Höhenlage bis 2.000 m

Überspannungskategorie II

Verschmutzungsgrad 2

Relative Feuchte 0 ... 95 % nicht betauend (nach DIN 40040)

Die Festigkeit der Messgeräte (umhüllende, nicht metallische Bauteile) ist mit einer verringerten Schlagenergie von 2 J entsprechend IK07 gemäß EN 61010-1:2010 getestet worden. Der IK-Code ist dem jeweiligen Typenschild zu entnehmen.

DE

Technische Daten	DELTA-plus, Typ DPG40 und DELTA-comb, Typ DPGS40
Nenngröße	Differenzdruckanzeige: Ø 100 mm Betriebsdruckanzeige: Ø 22 mm
Genauigkeit	Differenzdruckanzeige: ≤ 2,5 % der Spanne (Option ≤ 1,6 %) Betriebsdruckanzeige: ≤ 4 % der Spanne
Anzeigebereiche (EN 837)	Differenzdruck: 0 ... 0,16 bis 0 ... 10 bar für Typ DPG40 Differenzdruck: 0 ... 0,25 bis 0 ... 10 bar für Typ DPGS40 Betriebsdruck: 0 ... 25 bar
Max. Betriebsdruck (stat.)	25 bar
Überlastsicherheit	Max. 25 bar Ein-, beid- und wechselseitig auf der ⊕- und ⊖-Seite
Zulässige Temperaturen	Umgebung: -10 ... +70 °C, Messstoff: -10 ... +90 °C Lagerung: -40 ... +70 °C
Schutzart	IP65 nach EN/IEC 60529
Messkammer (messstoffberührt)	Aluminium, EN AC-Al Si9Cu3(Fe), schwarz lackiert (Option: CrNi-Stahl)
Prozessanschlüsse (messstoffberührt)	2 x G 1/4 Innengewinde, Anschlusslage unten, hintereinander, Achsabstand 26 mm
Messglieder (messstoffberührt)	Differenzdruck: Druckfedern aus CrNi-Stahl 1.4310 und Trennmembrane aus FPM/FKM (Option: NBR) Betriebsdruck: Rohrfeder aus Cu-Legierung
Übertragungsteile (messstoffberührt)	CrNi-Stahl 1.4301, 1.4305, 1.4310, FPM/FKM (Option: NBR)
Dichtungen (messstoffberührt)	FPM/FKM (Option: NBR)
Zeigerwerk	Kupferlegierung

3. Technische Daten

Technische Daten	DELTA-plus, Typ DPG40 und DELTA-comb, Typ DPGS40
Zifferblatt	Differenz- und Betriebsdruckanzeige: Zifferblatt weiß, Skalierung schwarz
Zeiger	Differenz- und Betriebsdruckanzeige: Zeiger blau
Nullpunkteinstellung für Differenzdruckanzeige	über Schraube im Zifferblatt
Anzeigegehäuse	Aluminium, EN AC-Al Si9Cu3(Fe), schwarz lackiert
Sichtscheibe	Kunststoff, Verschlusschraube zur Nullpunkt Korrektur; Verschlusschraube(n) zur Schaltpunkteinstellung für Typ DPGS40
Gewicht	ca. 1,3 kg

Technische Daten	DELTA-switch, Typ DPS40
Gehäusedurchmesser	100 mm
Differenzdruckmessbereiche	0 ... 0,25 bis 0 ... 10 bar
Max. Betriebsdruck (stat.)	25 bar
Überlastbarkeit	ein-, beid- und wechselseitig max. 25 bar
Zulässige Temperatur	Umgebung: -10 ... +70 °C, Messstoff: -10 ... +90 °C Lagerung: -40 ... +70 °C
Schutzart	IP65 nach EN /IEC 60529
Messkammer (messstoffberührt)	Aluminium, EN AC-Al Si9Cu3(Fe), schwarz lackiert (Option: CrNi-Stahl)
Prozessanschlüsse (messstoffberührt)	2 x G 1/4 Innengewinde, Anschlusslage unten, hintereinander, Achsabstand 26 mm
Messglieder (messstoffberührt)	Differenzdruck: Druckfedern aus CrNi-Stahl 1.4310 und Trennmembrane aus FPM/FKM (Option: NBR)
Übertragungsteile (messstoffberührt)	CrNi-Stahl 1.4301, 1.4305, 1.4310, FPM/FKM (Option: NBR)
Dichtungen (messstoffberührt)	FPM/FKM (Option: NBR)
Anzeigegehäuse	Aluminium, EN AC-Al Si9Cu3(Fe), schwarz lackiert
Sichtscheibe	Kunststoff, mit Verschlusschraube zur Schaltpunktverstellung
Gewicht	ca. 1,4 kg

3. Technische Daten

Elektrischer Kontakt

Kontaktart	Mikroschalter
Kontaktfunktion Einfach-Wechsler Zweifach-Wechsler	Kontakttyp 850.3 Kontakttyp 850.3.3
Lastdaten U max., I max., P max.	AC 250 V, 5 A, 250 VA DC 30 V, 0,4 A, 10 W
Schaltpunkteinstellung	von außen an Hilfsskala über Einstellschraube(n)
Einstellbereich	von 10 % bis 100 % des Skalenendwertes
Schaltpunktreproduzierbarkeit	≤ 1.6 %
Schalthysterese	max. 5 % vom Skalenendwert (Option: max. 2,5 %)
Elektrischer Anschluss	Kabelverschraubung M20 x 1,5 mit 1 m freiem Kabel

DE

Weitere technische Daten siehe jeweiliges Typenschild, WIKA-Datenblatt und Bestellunterlagen

Für Typen mit optionalem Explosionsschutz „Zusatzinformation für explosionsgefährdete Bereiche (Ex i), Typen DPS40, DPGS40, DPGS40TA und DPGT40“, Artikelnummer 14110818 lesen.

Für Typ DPG40 mit optionalem Explosionsschutz die Zusatzinformation mit Artikelnummer 14110816 lesen.

4. Aufbau und Funktion

4.1 Beschreibung

DELTA-plus Typ DPG40

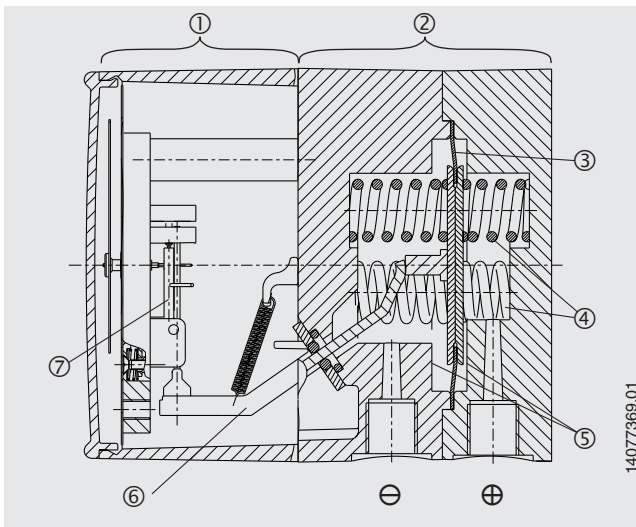
Das Anzeigegehäuse (1) ist direkt mit der Messkammer (2) und den dort integrierten Prozessanschlüssen verbunden.

In den Messstoffräumen \oplus und \ominus , die durch eine elastische Membrane (3) getrennt sind, wirken die Drücke p_1 und p_2 .

Der Differenzdruck ($\Delta p = p_1 - p_2$) bewirkt eine axiale Auslenkung (Messweg) der Membrane gegen die Messbereichsfedern (4).

Der dem Differenzdruck proportionale Messweg wird über einen Kipphebel (6) druckdicht und reibungsarm in das Anzeigegehäuse auf das Zeigerwerk (7) übertragen.

Die Überlastsicherheit wird durch Anlage der elastischen Membrane an metallische Stützflächen (5) erreicht.



DELTA-comb Typ DPGS40

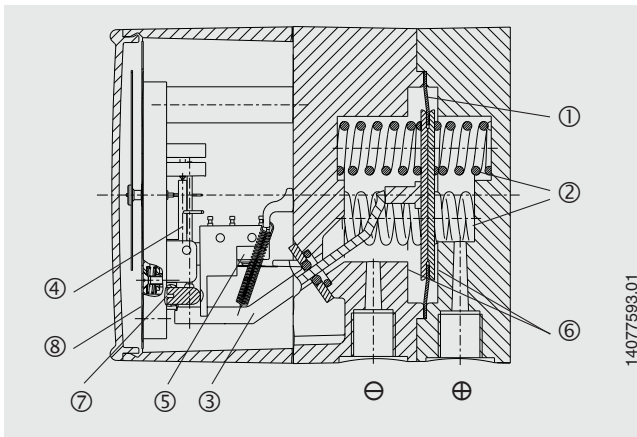
In den Messstoffräumen \oplus und \ominus , die durch eine elastische Membrane (1) getrennt sind, herrschen die Drücke p_1 und p_2 .

Der Differenzdruck ($\Delta p = p_1 - p_2$) bewirkt eine axiale Auslenkung (Messweg) der Membrane gegen die Messbereichsfedern (2).

Der dem Differenzdruck proportionale Messweg wird über einen Kipphebel (3) druckdicht und reibungsarm in das Anzeigegehäuse auf das Zeigerwerk (4) und an die Blattfedern der Mikroschalter (5) übertragen.

Die Überlastsicherheit wird durch Anlage der elastischen Membrane an metallische Stützflächen (6) erreicht.

Die Schaltpunktverstellung erfolgt über die frontseitig zugänglichen Einstellschrauben (7). Die Hilfsskalen (8) erleichtern die Schaltpunkteinstellung.



DELTA-switch Typ DPS40

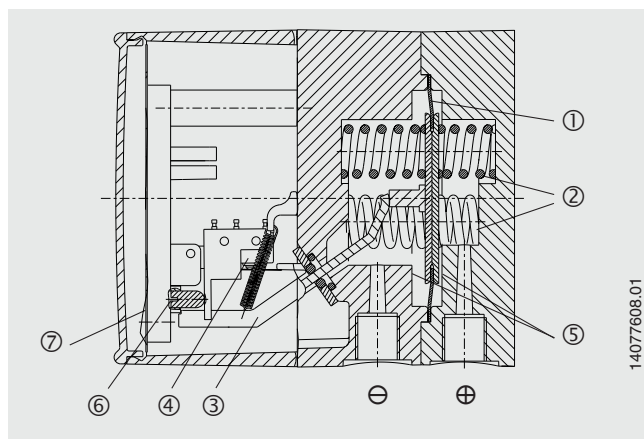
In den Messstoffräumen \oplus und \ominus , die durch eine elastische Membrane (1) getrennt sind, herrschen die Drücke p_1 und p_2 .

Der Differenzdruck ($\Delta p = p_1 - p_2$) bewirkt eine axiale Auslenkung (Messweg) der Membrane gegen die Messbereichsfedern (2).

Der dem Differenzdruck proportionale Messweg wird über einen Kipphebel (3) druckdicht und reibungsarm in das Schaltergehäuse und an die Blattfedern der Mikroschalter (4) übertragen.

Die Überlastsicherheit wird durch Anlage der elastischen Membrane an metallische Stützflächen (5) erreicht.

Die Schaltpunktverstellung erfolgt über die frontseitig zugänglichen Einstellschrauben (6). Die Hilfsskalen (7) erleichtern die Schaltpunkteinstellung.



4.2 Lieferumfang

Lieferumfang mit dem Lieferschein abgleichen.

5. Transport, Verpackung und Lagerung

5.1 Transport

Gerät auf eventuell vorhandene Transportschäden untersuchen. Offensichtliche Schäden unverzüglich mitteilen.

5.2 Verpackung

Verpackung erst unmittelbar vor der Montage entfernen.

Die Verpackung aufbewahren, denn diese bietet bei einem Transport einen optimalen Schutz (z. B. wechselnder Einbauort, Reparatursendung).

5.3 Lagerung

Zulässige Bedingungen am Lagerort

Lagertemperatur: -40 ... +70 °C

Um Schäden zu vermeiden, sind für die Lagerung der Geräte folgende Punkte zu beachten:

- Geräte in der Originalverpackung belassen
- Nach einer eventuellen Entnahme der Messgeräte für z. B. Prüfungen, sollte das Gerät wieder in der Originalverpackung eingelagert werden

Vermeiden Sie folgende Einflüsse:

- Direktes Sonnenlicht oder Nähe zu heißen Gegenständen
- Mechanische Vibration, mechanischer Schock (hartes Aufstellen)
- Ruß, Dampf, Staub, Feuchtigkeit und korrosive Gase
- Explosionsgefährdete Umgebung, entzündliche Atmosphäre



WARNUNG!

Vor der Einlagerung des Gerätes müssen alle ggf. anhaftenden Messstoffreste entfernt werden. Dies ist besonders wichtig, wenn das Medium gesundheitsgefährdend ist, wie z. B. ätzend, giftig, krebserregend, radioaktiv, usw.

6. Inbetriebnahme, Betrieb

6.1 Mechanischer Anschluss

- Entsprechend den allgemeinen technischen Regeln für Manometer (z. B. EN 837-2 „Auswahl- und Einbauempfehlungen für Druckmessgeräte“).
- Montage der Druckanschlüsse nach angebrachten Symbolen,
⊕ hoher Druck, ⊖ niedriger Druck
- Befestigung über:
 - starre Messleitung oder
 - Wandbefestigung über vorhandene Montagelaschen
- Prozessanschlüsse 2 x G 1/4 Innengewinde, Anschlusslage unten, hintereinander, Achsabstand 26 mm, Gebrauchslage NL 90 nach DIN 16257 (d.h. Zifferblatt senkrecht), Gewinde der Anschlusszapfen vorzugsweise nach EN 837-3 (Abschnitt 7.3.2) ausführen.
- Messleitungen vor der Gerätemontage gründlich durch Abklopfen und Ausblasen oder Durchspülen reinigen
- Messgeräte vor Verschmutzung und starken Temperaturschwankungen schützen!
- Das Gerät muss erschütterungsfrei befestigt werden und soll gut ablesbar angeordnet sein. Es empfiehlt sich, zwischen Druckentnahmestelle und Gerät eine Absperrvorrichtung zwischenzuschalten, die einen Austausch des Gerätes und eine Nullpunktkontrolle bei laufender Anlage ermöglicht. Die Geräte sind vor grober Verschmutzung und starken Schwankungen der Umgebungstemperatur zu schützen.
- Zur Abdichtung der Anschlüsse sind Flachdichtungen, Dichtlinsen oder WIKA-Profilabdichtungen einzusetzen. Um das Gerät in die Stellung zu bringen, in der sich die örtliche Anzeige am besten ablesen lässt, ist ein Anschluss mit Spannmuffe oder Überwurfmutter zu empfehlen. Beim Ein- und Ausschrauben dürfen die Geräte nicht am Gehäuse angezogen werden, sondern nur an den Schlüsselflächen des Anschlussstutzens!

Wandmontage

Befestigung über drei angegossene Befestigungslaschen

Temperaturbelastung



WARNUNG!

In der Endanwendung muss sichergestellt werden, dass das Gerät trotz Medientemperaturen $> 70\text{ °C}$ nicht über 70 °C erwärmt wird.

Bei der Montage des Gerätes darauf achten, dass die zulässige Betriebstemperatur des Messgerätes unter Berücksichtigung des Einflusses von Konvektion und Wärmestrahlung eingehalten wird! Dazu sind Gerät und Absperrarmatur durch ausreichend lange Messleitungen oder Wassersackrohre zu schützen.

Der Temperatureinfluss auf die Anzeige- bzw. Messgenauigkeit ist zu beachten.



Die tatsächliche maximale Oberflächentemperatur ist nicht von diesen Geräten selbst abhängig, sondern hauptsächlich von der jeweiligen Messstofftemperatur! Bei gasförmigen Stoffen kann sich die Temperatur durch Kompressionswärme erhöhen. In solchen Fällen muss ggf. die Druckänderungsgeschwindigkeit gedrosselt bzw. die zulässige Messstofftemperatur reduziert werden.

6. Inbetriebnahme, Betrieb

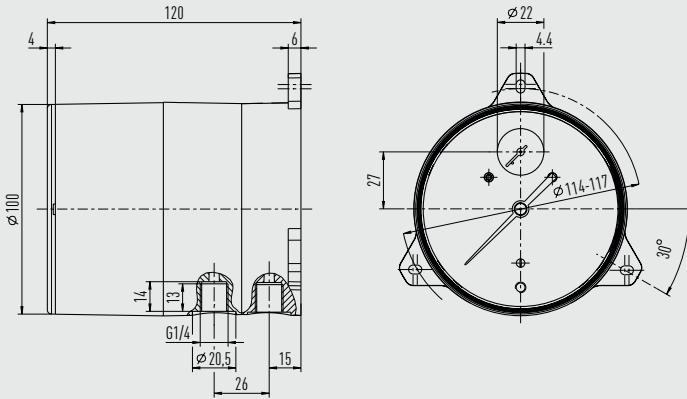
Messanordnungen

Bewährte Messanordnungen für verschiedene Messstoffarten. Die zur Anwendung besonders empfohlenen Anordnungen sind nachfolgend dargestellt.

	Flüssige Messstoffe			Gasförmige Messstoffe		
Füllung der Messleitung	flüssig	zum Teil ausgasend	vollständig verdampft	gasförmig	zum Teil kondensiert (feucht)	vollständig kondensiert
DE Beispiele	Kondensat	siedende Flüssigkeiten	„Flüssiggase“	trockene Luft	feuchte Luft Rauchgase	Wasserdampf
Manometer oberhalb des Entnahmestutzens						
Manometer unterhalb des Entnahmestutzens						

Abmessungen in mm

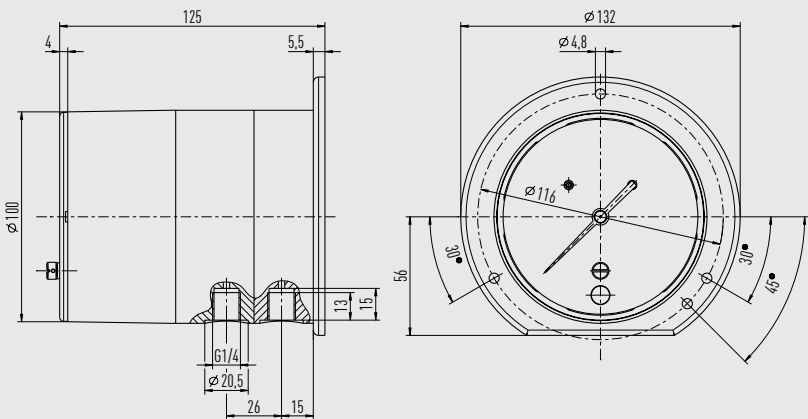
DELTA-plus, Typ DPG40 mit Aluminium-Messkammer



14007751.01

DE

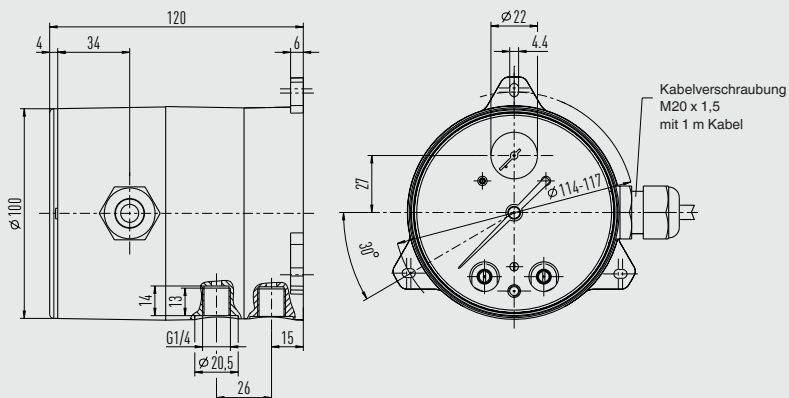
DELTA-plus, Typ DPG40 mit CrNi-Stahl-Messkammer



14412474.01

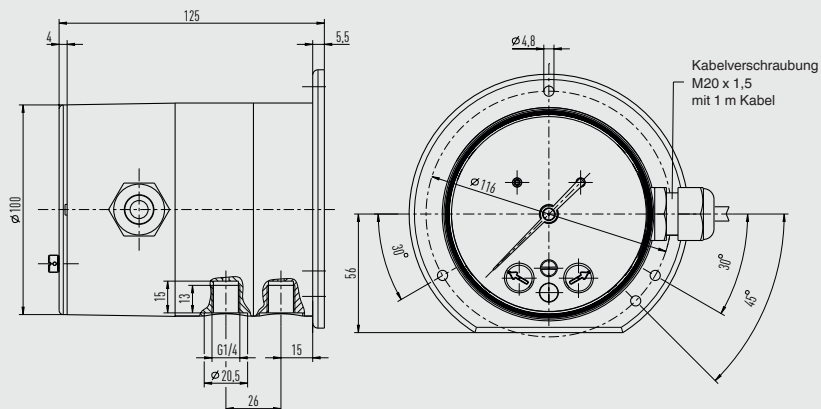
14093265.06 08/2020 EN/DE

DELTA-comb, Typ DPGS40 mit Aluminium-Messkammer



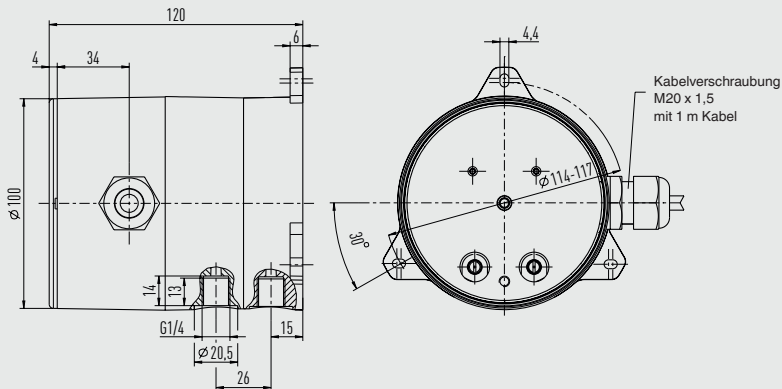
14078112.01

DELTA-comb, Typ DPGS40 mit CrNi-Stahl-Messkammer



14413389.01

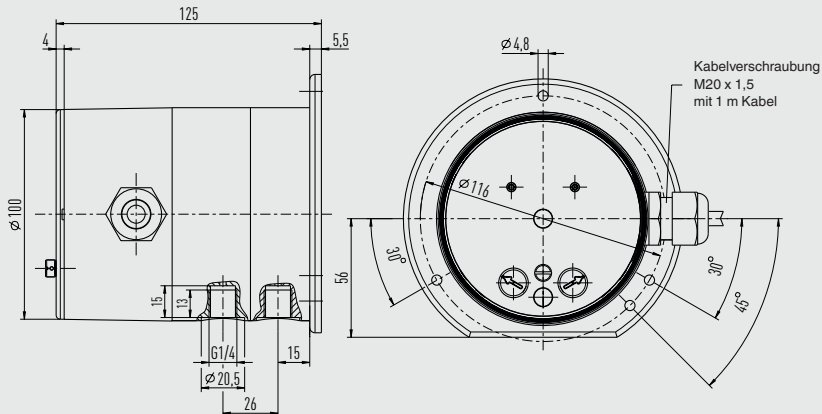
DELTA-switch, Typ DPS40 mit Aluminium-Messkammer



14078260.01

DE

DELTA-switch, Typ DPS40 mit CrNi-Stahl-Messkammer



14413391.01

14093265.06 08/2020 EN/DE

Messanordnungen

Die zu bevorzugenden Messanordnungen für verschiedene Einsatzmöglichkeiten sind in DIN 19216 beschrieben.

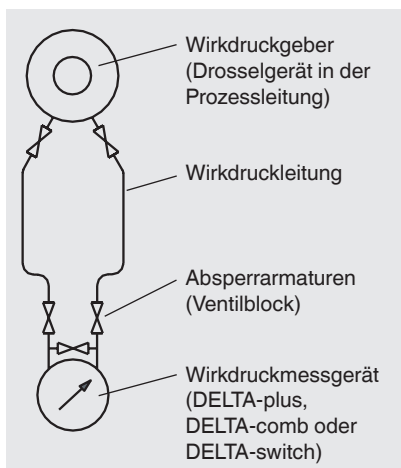
Die nachfolgende Prinzipdarstellung zeigt eine empfohlene Anordnung bei flüssigen Messstoffen. Als Drosselgeräte sind Wirkdruckgeber nach DIN 1952 (Ausgabe 07.82) ersetzt durch EN 5167/1 vorzusehen.

Die Wirkdruckleitungen müssen aus Metall gefertigt sein, ihre lichte Weite darf 4 mm nicht unterschreiten und die gestreckte Länge zwischen Ventilblock und Differenzdruckmessgerät muss mindestens 500 mm betragen.

Außerdem sind Länge und lichte Weite der Wirkdruckleitungen so zu bemessen, dass bei kalter Leitung die Ansprechzeit des Wirkdruckmessgerätes nicht mehr als 5 Sekunden beträgt.

Die Verbindungen der Wirkdruckleitungen müssen verschweißt, hartgelötet oder mit metallischen Dichtelementen verschraubt werden.

Absperrarmaturen in Wirkdruckleitungen dürfen nur mit Werkzeugen zu betätigen sein.



6.2 Elektrischer Anschluss

(betrifft Typen DELTA-comb und DELTA-switch)

- Der elektrische Anschluss darf nur durch qualifiziertes Fachpersonal erfolgen.
- Die Belegung der Anschlüsse und die Schaltfunktionen sind auf dem Typenschild am Gerät angegeben und die Anschlussklemmen sowie die Erdungsklemme sind entsprechend gekennzeichnet.
- Die vorgesehenen Netzanschlussleitungen müssen für die größte Stromaufnahme des Gerätes bemessen sein und IEC 227 oder IEC 245 entsprechen.
- Die Geräte sind in den Potenzialausgleich der Anlage mit einzubeziehen.

Leistungsdaten (siehe Kapitel 3 „Technische Daten“)

Sicherheitshinweise bei Installation



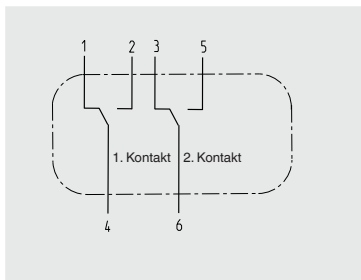
- Installations- und Sicherheitshinweise der Betriebsanleitung beachten.
- Geräte gemäß Herstellerangaben und den gültigen Normen und Regeln installieren.
- In den Geräten sind keine Überstrom-Schutzeinrichtungen eingebaut!
- Um ein Verschweißen der Schalter durch Überlast zu verhindern, sind geeignete Schutzeinrichtungen vom Anwender vorzusehen!
- An die Schaltkontakte und Anschlussleitungen des Gerätes nur Stromkreise mit gleicher Spannung bzw. von gleicher Schutzart anschließen.
- Maximalen Strom durch externe Maßnahmen auf einen Wert von AC 250 V, 5 A bei ohmscher Belastung je Stromkreis begrenzen.
- Anschlussleitungen für die größte Stromstärke in den Stromkreisen bemessen.

DE

Die genauen Angaben zur Anschlussbelegung und erforderlichen Hilfsenergie sind auf dem Typenschild am Gehäuseumfang vermerkt. Beispiele von Anschlussbelegungen sind nachfolgend dargestellt.

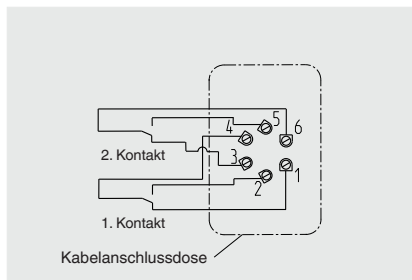
Beispiel Anschlussbelegung 1:

- Kabelverschraubung und Kabel



Beispiel Anschlussbelegung 2:

- Kabeldose oder Winkelstecker nach DIN 43651



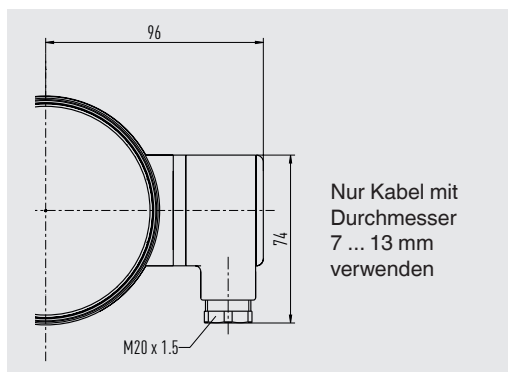
Information

Für den Sicherheitsstromkreis, der bei Unterschreiten des Mindestdurchflusses die Beheizung des Dampferzeugers abschalten soll, darf nur der Schließer des Umschaltkontaktes angeschlossen werden (d. h. der bei $\Delta p = 0$ offene Kreis)!

6. Inbetriebnahme, Betrieb

- Spannungen größer AC 50 V oder DC 75 V:
 - Stromkreise nicht gleichzeitig mit Kleinspannungsstromkreisen oder Sicherheitskleinspannung (SELV) bzw. Schutzkleinspannung (PELV) anschließen.
 - Stromkreise müssen außerhalb des Messgerätes über eine Einrichtung verfügen, die es ermöglicht das Gerät vom Netz zu trennen. Diese muss leicht erreichbar und als Trennvorrichtung für das Gerät gekennzeichnet sein.
 - Leitungen für Stromkreise müssen die Isolationsanforderungen erfüllen und z. B. IEC 60227 oder IEC 60245 entsprechen.
- Bei flexiblen Anschlussleitungen isolierte Aderendhülsen verwenden.
- Anschlussleitungen müssen für den Umgebungstemperaturbereich der Applikation geeignet sein.
- Kabeleinführung mit den entsprechend zugelassenen Kabelverschraubungen dicht verschließen.

Ausführung der Kabeldose



- Anschlusskabel fest verlegen.

14078258.01

14093265.06 08/2020 EN/DE

Schalt- und Nullpunkteinstellung

Die Schalt- bzw. Nullpunkteinstellung erfolgt über frontseitige Einstellschrauben, welche je nach Gerätetyp durch Lösen der Sichtscheibe bzw. der Verschluss-schrauben zugänglich sind.

Durch Drehen der Einstellschraube mit einem Schraubendreher wird der gewünschte Nullpunkt eingestellt.

Bei Angabe der Sollwerte werden werkseitig die Schaltpunkte eingestellt. Eine Hilfsskala erleichtert die Schaltpunkteinstellung.

Wird eine genaue Schaltpunkteinstellung gewünscht, sollte ein Prüfnormal zur Justage verwendet werden.

Inbetriebnahme

Bei Inbetriebnahme Druckstöße unbedingt vermeiden, Absperrventile langsam öffnen.

DE

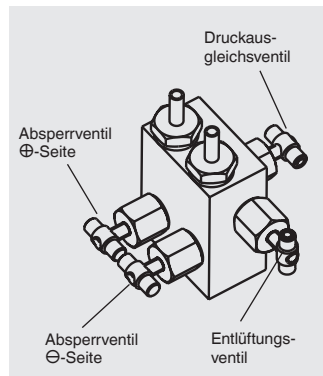
7. Optionen und Zubehör

7.1 Vierfach-Ventilblock

- Absperrung der \oplus - und \ominus -Prozessleitung zur **Demontage** oder **Prüfung** des Messgerätes ohne Störung des laufenden Betriebsprozesses.

Schutz des Gerätes gegen unzulässige Überdruckbelastung, wie z. B. bei Druckprüfungen und undefinierten Betriebsverhältnissen (auch zeitweiliger Stilllegung).

- Druckausgleich zur **Nullpunktkontrolle** bei laufendem Prozess sowie Vermeidung einseitiger Überdruckbelastung während der Anfahr- bzw. Betriebsphase (bei geöffnetem Druckausgleichsventil).
- **Entlüftung** der Messleitungen bei flüssigen Messstoffen und **Spülung** der Messleitungen, um Verunreinigungen zu entfernen.



Angaben zum Handling

■ Arbeitsgangfolge zum **Messanfang**

1. Druckausgleichsventil (mittlere Ventilspindel) öffnen
2. Absperrventil von Minus-Messstoffraum (\ominus , rechtes Ventil) und Plus-Messstoffraum (\oplus , linkes Ventil) öffnen
3. Druckausgleichsventil schließen

■ Arbeitsgangfolge zum **Spülen/Entlüften** der Messleitungen

1. Anfang: Absperrventil von \oplus - und \ominus -Messstoffraum öffnen, Druckausgleichsventil und Entlüftungsventil öffnen
2. Ende: Druckausgleichsventil und Entlüftungsventil schließen

■ Arbeitsgangfolge zu **Messende** (auch zeitweise Stilllegung)

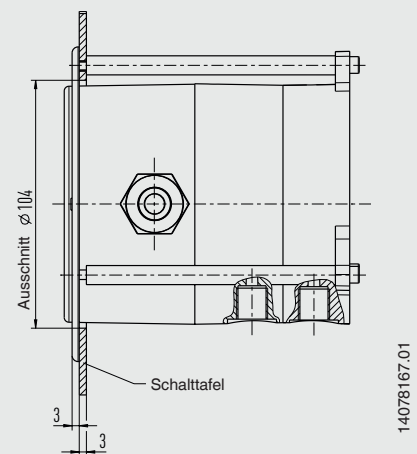
1. Druckausgleichsventil öffnen
2. Absperrventil von \oplus - und \ominus -Messstoffraum schließen

■ Arbeitsgangfolge zur **Demontage des Messgerätes** bei laufendem Prozess

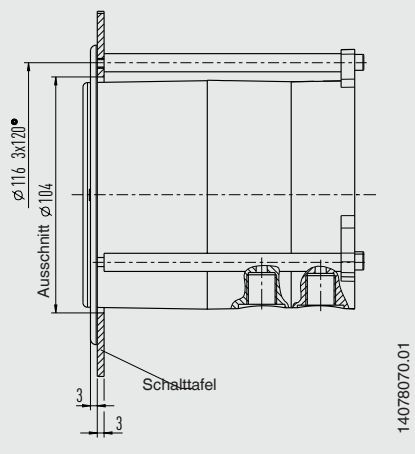
1. Absperrventil von \oplus - und \ominus -Messstoffraum schließen
2. **Entlüftungsventil öffnen**

7.2 Befestigungsrand für Schalttafelmontage

Für Aluminium-Messkammer



Für CrNi-Stahl-Messkammer



8. Wartung

Die Geräte sind wartungsfrei.

Eine Überprüfung der Anzeige und der Schaltfunktion sollte etwa 1 bis 2 mal pro Jahr erfolgen. Dazu ist das Gerät vom Prozess zu trennen und mit einer Druckprüfvorrichtung zu kontrollieren.

Reparaturen sind ausschließlich vom Hersteller durchzuführen.

9. Demontage, Rücksendung und Entsorgung

DE



WARNUNG!

Messstoffreste in ausgebauten Messgeräten können zur Gefährdung von Personen, Umwelt und Einrichtung führen. Ausreichende Vorsichtsmaßnahmen ergreifen.

9.1 Demontage

Messgerät nur im drucklosen und spannungsfreiem Zustand demontieren! Gegebenenfalls muss die Messleitung entspannt werden.

9.2 Rücksendung

Ausgebautes Messgerät vor der Rücksendung spülen bzw. säubern, um Mitarbeiter und Umwelt vor Gefährdung durch anhaftende Messstoffreste zu schützen.

9.3 Entsorgung

Durch falsche Entsorgung können Gefahren für die Umwelt entstehen. Gerätekomponenten und Verpackungsmaterialien entsprechend den landesspezifischen Abfallbehandlungs- und Entsorgungsvorschriften umweltgerecht entsorgen.







EU-Konformitätserklärung EU Declaration of Conformity

Dokument Nr.
Document No. 14129458.03

Wir erklären in alleiniger Verantwortung, dass die mit CE gekennzeichneten Produkte
We declare under our sole responsibility that the CE marked products

Typenbezeichnung
Type Designation DPG40 + option ATEX

Beschreibung
Description Differenzdruckmessgerät
Differential pressure gauge

gemäß gültigem Datenblatt
according to the valid data sheet PM 07.20

mit den nachfolgenden relevanten Harmonisierungsvorschriften der Union
übereinstimmen
are in conformity with the following relevant Union harmonisation legislation

Angewandte harmonisierte Normen
Applied harmonised standards

2014/34/EU Explosionsschutz (ATEX) ⁽¹⁾
Explosion protection (ATEX) ⁽¹⁾



II 2G c IIC TX X
II 2D c TX X

Hinterlegung nach / deposit to
EN 1127-1:2011
EN 13463-1:2009
EN 13463-5:2011

Entspricht auch / Also complies with
EN ISO 80079-36:2016
EN ISO 80079-37:2016

- (1) Konformitätsbewertungsverfahren „interne Fertigungskontrolle“. Die Dokumentation ist hinterlegt bei benannter Stelle TÜV NORD CERT GmbH, Essen (Nr. 0044), Aktennummer 35161463.
Conformity assessment procedure "Internal Control of Production". The Documentation is deposited at notified body TÜV NORD CERT GmbH, Essen (no. 0044), reference number 35161463.

Unterszeichnet für und im Namen von / Signed for and on behalf of

WIKAI Alexander Wiegand SE & Co. KG
Klingenberg, 2020-05-06

Alfred Häfner, Vice President
Process Instrumentation Pressure

WIKAI Alexander Wiegand SE & Co. KG
Alexander-Wiegand-Strasse 30
63911 Klingenberg
Germany

Tel: +49 9372 132-0
Fax: +49 9372 132-406
E-Mail: info@wika.de
www.wika.de

Kommandgesellschaft: Sitz Klingenberg –
Amtsgericht Aschaffenburg HRA 1819

Roland Stapf, Head of Quality Assurance
Process Instrumentation Corporate Quality

Komplementär:
WIKAI International SE - Sitz Klingenberg -
Amtsgericht Aschaffenburg HRB 10202
Vorstand: Alexander Wiegand
Vorsitzender des Aufsichtsrats: Dr. Max Egli
20AR-03634



EU-Konformitätserklärung EU Declaration of Conformity

Dokument Nr.: 14098686.05
Document No.:

Wir erklären in alleiniger Verantwortung, dass die mit CE gekennzeichneten Produkte
We declare under our sole responsibility that the CE marked products

Typenbezeichnung: DPS40, DPGS40, DPGS40TA
Type Designation:

Beschreibung: Differenzdruckmessgeräte mit Mikroschalter
Description: Differential pressure gauges with micro switch

gemäß gültigem Datenblatt: Siehe Anhang
according to the valid data sheet: Refer to annex

die wesentlichen Schutzanforderungen der folgenden Richtlinien erfüllen: Harmonisierte Normen:
comply with the essential protection requirements of the directives: Harmonized standards:

2011/65/EU	Gefährliche Stoffe (RoHS) Hazardous substances (RoHS)	EN 50581:2012
2014/68/EU	Druckgeräterichtlinie (DGRL) ⁽¹⁾ Pressure Equipment Directive (PED) ⁽¹⁾	
2014/35/EU	Niederspannungsrichtlinie (NSR) Low Voltage Directive (LVD)	EN 61010-1:2010
2014/34/EU	Explosionsschutz (ATEX) ⁽²⁾ Explosion protection (ATEX) ⁽²⁾	EN 60079-0 :2012 +A11:2013 EN 60079-11:2012



II 2G Ex ia IIC T4/T5/T6 Gb
II 2D Ex ia IIIB T135°C Db

- (1) EG-Baumusterprüfbescheinigung 01 201 931-B-15-0027 von TÜV Rheinland Industrie Service GmbH, D-51105 Köln (reg. no. 0035).
EC type-examination certificate 01 201 931-B-15-0027 from TÜV Rheinland Industrie Service GmbH, D-51105 Köln (reg. no. 0035).
- (2) EG-Baumusterprüfbescheinigung BVS 15 ATEX E 073 X von DEKRA EXAM GmbH, D-44809 Bochum (Reg.-Nr. 0158).
EC type-examination certificate BVS 15 ATEX E 073 X from DEKRA EXAM GmbH, D-44809 Bochum (Reg. no. 0158).

Unterszeichnet für und im Namen von / Signed for and on behalf of

WIKAI Alexander Wiegand SE & Co. KG

Klingenberg, 2017-07-04

Thorsten Seefried, Vice President
Process Gauges

Michael Glombitza, Head of Quality Management
Process Gauges

WIKAI Alexander Wiegand SE & Co. KG
Alexander-Wiegand-Straße 30
63911 Klingenberg
Germany

Tel. +49 9372 132-0
Fax: +49 9372 132-409
E-Mail: info@wika.de
www.wika.de

Kommanditgesellschaft: Sitz Klingenberg –
Amtsgericht Aschaffenburg HRA 1819
Komplementärin: WIKAI Verwaltungs SE & Co. KG –
Sitz Klingenberg – Amtsgericht Aschaffenburg
HRA 4685

Komplementärin:
WIKAI International SE – Sitz Klingenberg –
Amtsgericht Aschaffenburg HRB 10505
Vorstand: Alexander Wiegand
Vorsitzender des Aufsichtsrats: Dr. Max Egl



14098686.05, Anhang / Annex

Datenblatt Data sheet	Typenbezeichnung Type Designation	Anwendbare Richtlinien Applicable directives		
		2014/35/EU	2014/68/EU	2014/34/EU
PV 27.21	DPS40.100-E DPS40.100-D	✓		
PV 27.21	DPS40.100-F DPS40.100-G			✓
PV 27.20	DPS40.100-E DPS40.100-D	✓		
PV 27.20	DPS40.100-F DPS40.100-G			✓
PV 27.22	DPGS40TA.100-EZZ DPGS40TA.100-DZZ DPGS40TA.100-EZS DPGS40TA.100-DZS	✓		
PV 27.22	DPGS40TA.100-ESZ DPGS40TA.100-DSZ DPGS40TA.100-ESS DPGS40TA.100-DSS	✓	✓	
PV 27.22	DPGS40TA.100-FZZ DPGS40TA.100-GZZ DPGS40TA.100-FZS DPGS40TA.100-GZS			✓
PV 27.22	DPGS40TA.100-FSZ DPGS40TA.100-GSZ DPGS40TA.100-FSS DPGS40TA.100-GSS		✓	✓

Siehe besondere Bedingungen für die sichere Anwendung und Installation in der Betriebsanleitung
Refer to specific conditions for safe use and installation information in the operating instructions

WIKAI Alexander Wegand SE & Co. KG
Alexander-Wegand-Strasse 30
63911 Klingenberg
Germany

Tel. +49 9372 132-0
Fax +49 9372 132-406
E-Mail info@wika.de
www.wika.de

Kommanditgesellschaft, Sitz Klingenberg –
Amtsgericht Aschaffenburg HRB 1819
Komplementärin: WIKAI Verwaltungs SE & Co. KG –
Sitz Klingenberg – Amtsgericht Aschaffenburg
HRB 4685

Komplementärin:
WIKAI International SE – Sitz Klingenberg –
Amtsgericht Aschaffenburg HRB 10505
Vorstand: Alexander Wegand
Vorsitzender des Aufsichtsrats: Dr. Max Egli

WIKA subsidiaries worldwide can be found online at www.wika.com.
WIKA-Niederlassungen weltweit finden Sie online unter www.wika.de.



WIKAI Alexander Wiegand SE & Co. KG

Alexander-Wiegand-Straße 30

63911 Klingenberg • Germany

Tel. +49 9372 132-0

Fax +49 9372 132-406

info@wika.de

www.wika.de