

Full, empty and demand indicator for horizontal mounting with angled jib

Signal contact

2 A / 250V AC potential-free

Type of protection

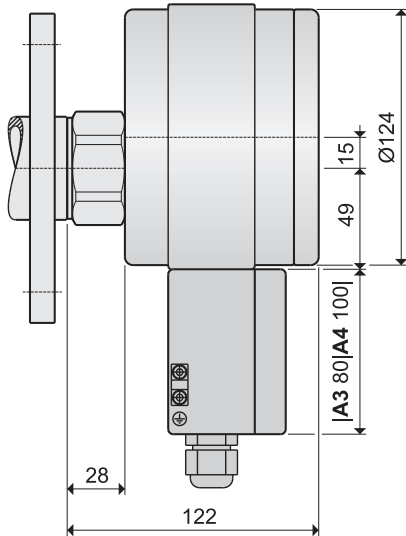
IP66 in accordance with DIN EN 60529

Maintenance

none

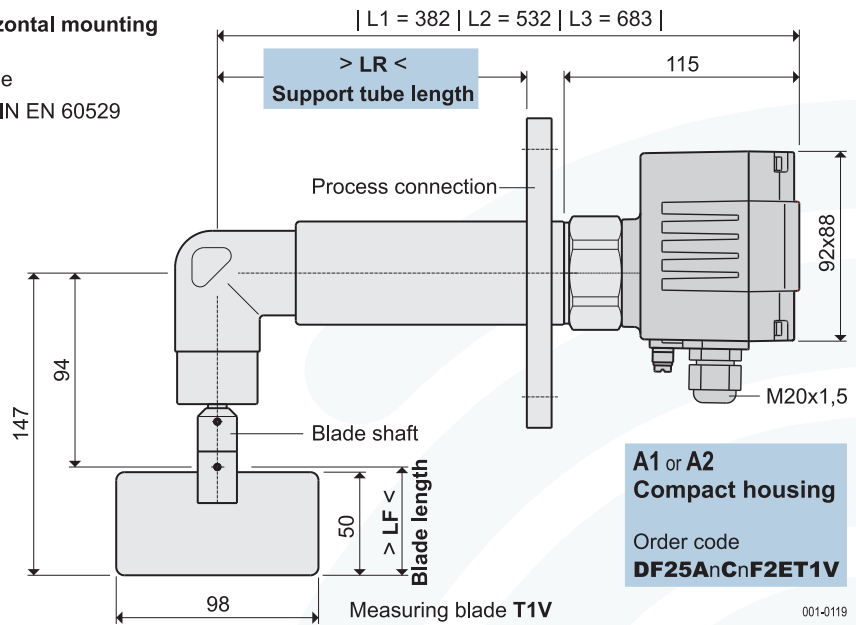
**A3 or A4
Round housing**

Order code
DF25AnCnF2E ...



001-0116

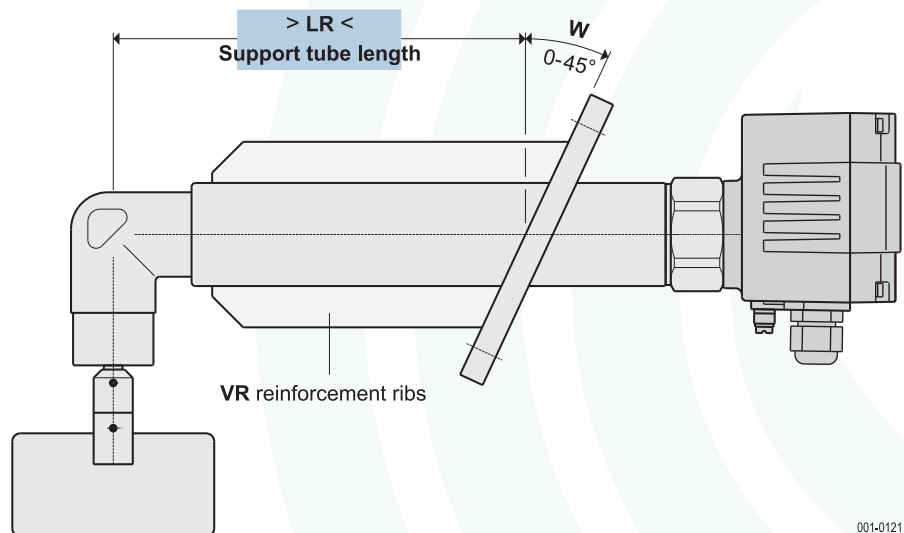
You will find further technical details under appliance information **DF-GI-..**



**A1 or A2
Compact housing**

Order code
DF25AnCnF2ET1V

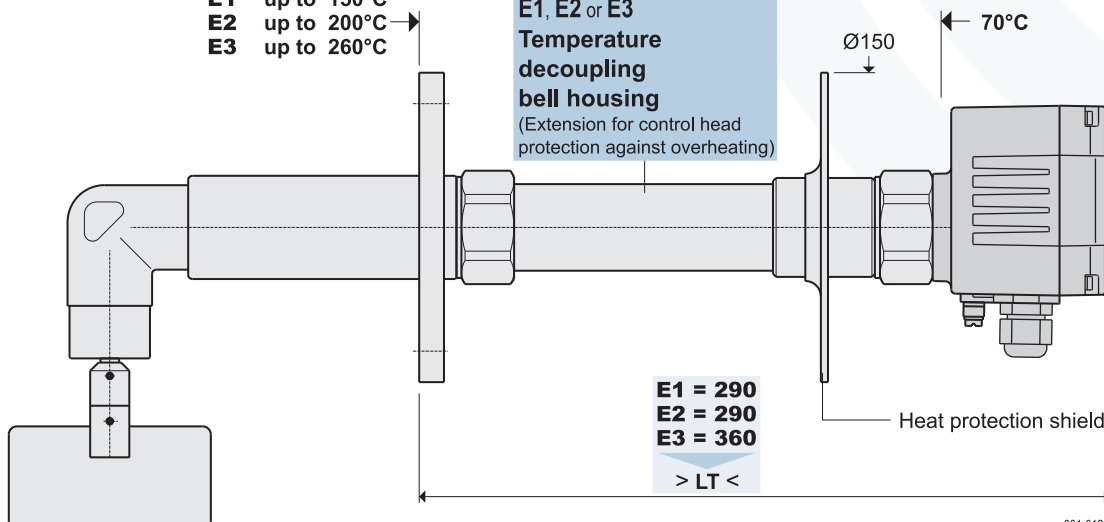
001-0119



001-0121

E1 up to 150°C
E2 up to 200°C
E3 up to 260°C

**E1, E2 or E3
Temperature
decoupling
bell housing**
(Extension for control head
protection against overheating)



**E1 = 290
E2 = 290
E3 = 360**

001-0122

4 housing versions to choice

- Housing selection**
- A1 **Standard** Compact aluminium housing ... CE conform and ATEX Dust
 - A2 Stainless steel compact housing ... CE conform and ATEX Dust
 - A3 Aluminium round housing ... ATEX II 2G Ex db eb IIC T6 @S+Dust
 - A4 Stainless steel round housing ... ATEX II 2G Ex db eb IIC T6 @S+Dust

- Choice of options with**
- Certifications, certificates, approvals**
- B0** **Standard** = CE conform and IP66
 - B1** ATEX II 1/2D Ex ta/tb IIC T80°C **Dust**
 - B2** ATEX II 1D Ex ta IIC T70°C **Dust** ^{D2})
 - B3** ATEX II 1/3D Ex ta/tc IIB T80°C **Dust** ¹⁾)
 - B9** Further approvals on request

- Supply voltage / Supply**
- C1** 220...240V AC (50...60Hz)
 - C2** 110...120V AC (50...60Hz)
 - C3** 48V AC (50...60Hz)
 - C4** 24V AC (50...60Hz)
 - C5** 24V DC
 - C6** 12V DC
 - C7** 48V DC
 - C9** Special voltages on request

- Self-monitoring**
- D0** **Standard** = without monitoring
 - D1** Function monitoring
 - D2** Voltage monitoring

- Signal lamps¹⁾**
- H0** **Standard** = with function LEDs ...
 - H1** Collar for function LEDs
 - H2** Signal lamp, LED green
 - H8** Large signal lamp, LED green

- Bulk goods temperature/T_(process)**
- E0** **Standard** = -25°C...+80°C ²⁾ ..
 - E1** -40°C...+150°C only with R1
 - E2** -25°C...+200°C only with R5
 - E3** -25°C...+260°C only with R5
 - E7** Device heating 2.5 Watt
 - E9** High temperature ..on request

- Container pressure / p_(process)**
- P0** **Standard** = -0.5...5 bar ³⁾
 - P1** -0.5 bar...10 bar
 - P2** -0.95 bar...25 bar ⁴⁾
 - P6** -0.9 bar...10 bar
 - P7** -0.9 bar...10 bar ⁵⁾

- Process connection**
- F2** Flange F100 150x150, 4xØ18/Ø170
 - F6** Flange DN100 PN 6
 - F9** Other flanges on request

Material of process connection

- E** Stainless steel 1.4301 / 304
- Z** Bearing in stainless steel
- add as suffix to selected connection e.g. F2ERZ

Measuring blade

- M0** without measuring blade
- | | | | | |
|-----------|------------|--------|---|---|
| T1 | Blade T50 | 98x50 | x | x |
| T2 | Blade T100 | 98x100 | x | x |
| X1 | Blade X50 | 98x50 | x | |
| X2 | Blade X100 | 98x100 | x | |
- M9** Other measuring blades ... on request

Measuring blade passes through tight hole of:

- F2, F6, F7
- F2, F6, F7
- F2, F6, F7
- F2, F6, F7

Blade reinforcement

- without reinforcement
- V** with reinforcement

Jib length

- LR** Support tube length, in stainless steel
- | | | | |
|----------|----------|----------|----|
| 1 | 5 | 0 | mm |
| 2 | 0 | 0 | mm |
| 2 | 5 | 0 | mm |
| 3 | 0 | 0 | mm |
| 4 | 0 | 0 | mm |
| 5 | 0 | 0 | mm |

All larger dimensioned blades **can not** be inserted through the tight holes and must be mounted from the inside.

Standard angle **W** = 0° for flange/support tube (W00 not applicable)

- W** Welding flange to jib
- 0 0** enter required angle up to max. 45°

Reinforcement ribs

- VR** Welding reinforcement ribs

Accessories

- SH** Weather protection hood in PVC, RAL 7001
Certificated only for zone 22 and in non-hazardous areas
- KV1** 2. Standard cable gland
- KV2** 2. Ex cable gland

Delivery time appr. 8 Working Days

- D2) delivery only together with D2 or D1
- 1) **not** available together with B1, B2, A3 and A4
- 2) max. bulk goods temperature at B2 = -20°C...+45°C
- 3) container pressure at B1, B2 and B3 = -0,08bar...+0,08bar (-80...+80mbar)
- 4) with area separating element DF-P2 (gas-tight and leakproof)
- 5) with pressure decoupling bell housing DF-P7 (pressure separating)
- 5) **!!!** usage for differences in pressure within ATEX areas **!!!**

Prices on request



B0, D0, H0, E0, P0, R0 and M0 are **not needed** for order code

DF25 0 Order code