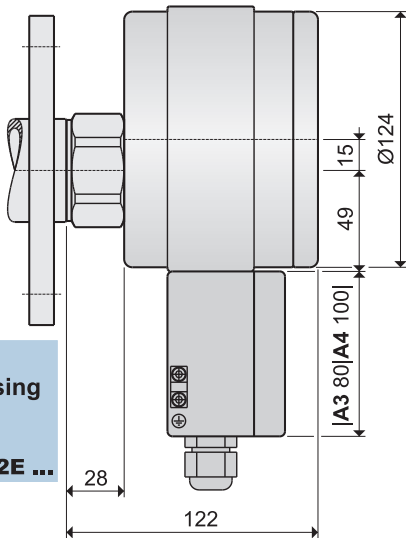


Full, empty and demand indicator for any mounting position with reinforced blade shaft and long support tube

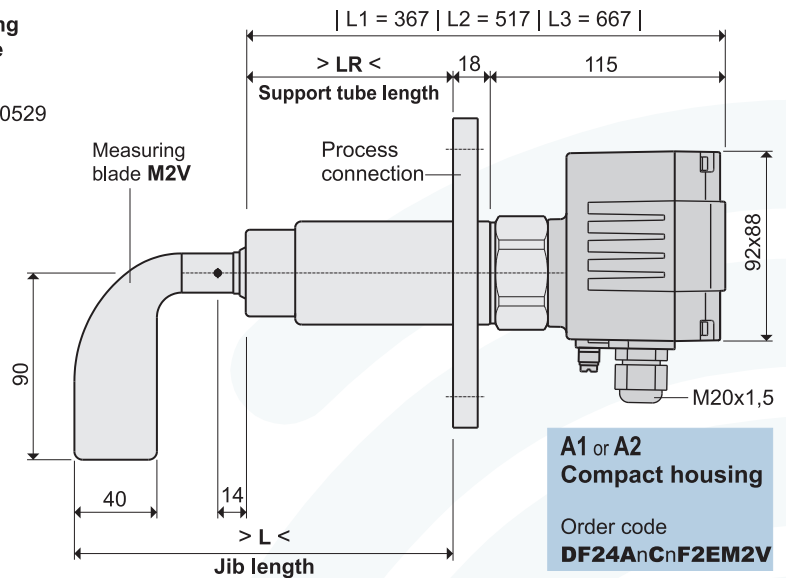
Signal contact 2 A / 250V AC potential-free  
 Type of protection IP66 in accordance with DIN EN 60529  
 Maintenance none



**A3 or A4  
Round housing**

Order code  
**DF24AnCnF2E ...**

001-0116

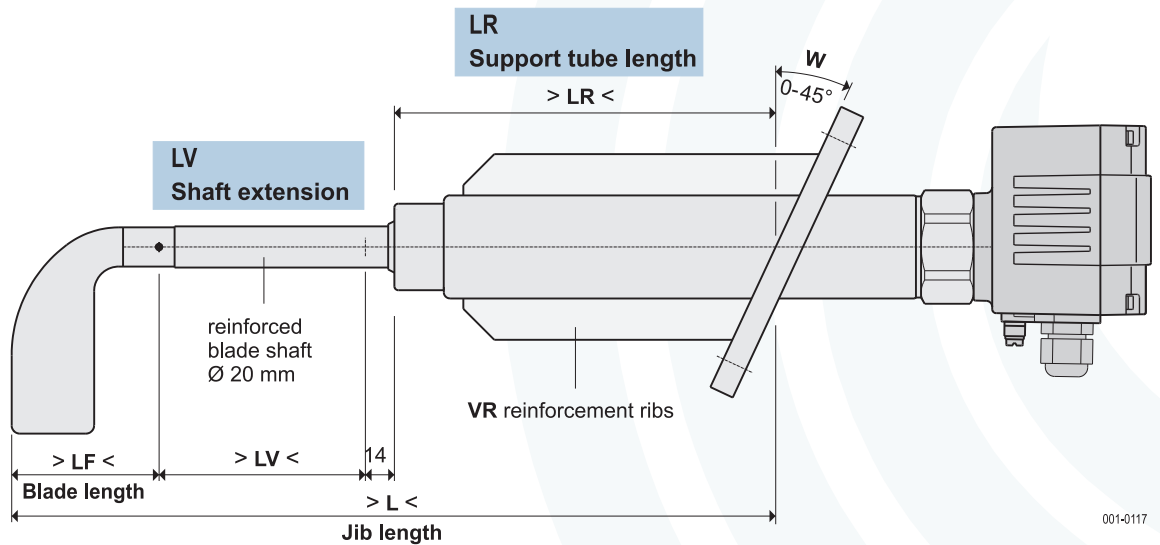


**A1 or A2  
Compact housing**

Order code  
**DF24AnCnF2EM2V**

001-0115

$L = LF + 14 + LR$   
 Standard shaft length =  $LF + 14$



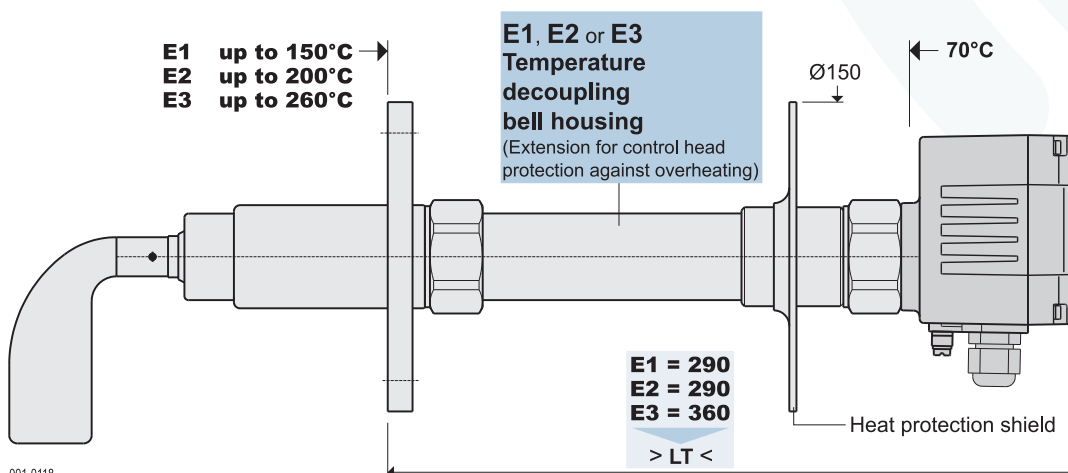
**LR  
Support tube length**

**LV  
Shaft extension**

$L = LF + LV + 14 + LR$

001-0117

You will find further technical details under appliance information **DF-GI-..**



**E1 up to 150°C  
E2 up to 200°C  
E3 up to 260°C**

**E1, E2 or E3  
Temperature decoupling bell housing**  
 (Extension for control head protection against overheating)

**E1 = 290  
E2 = 290  
E3 = 360**

**> LT <**

001-0118

