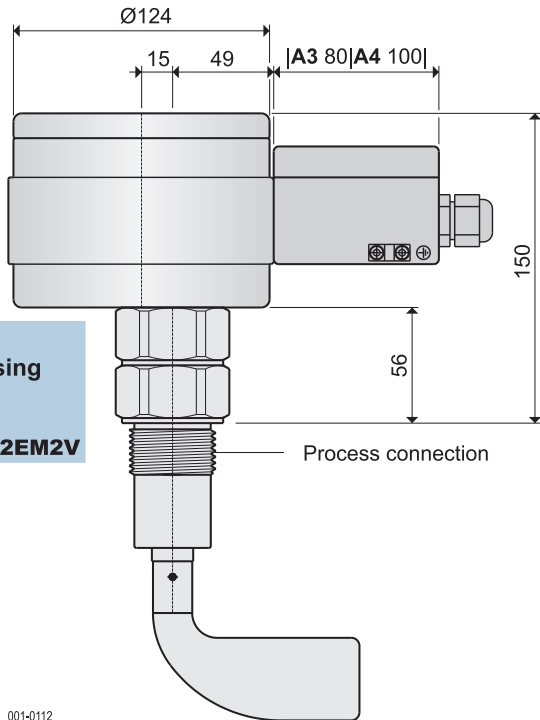


Full, empty and demand indicator for any mounting position with reinforced blade shaft

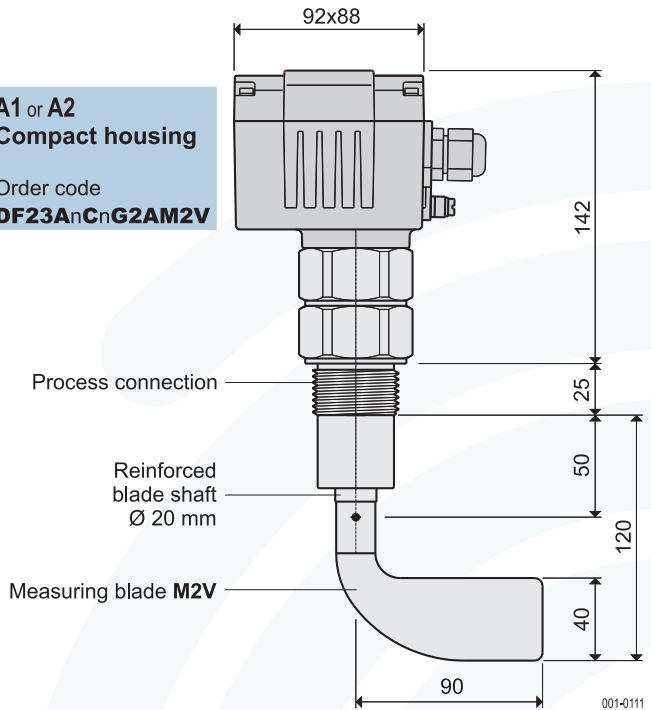
Signal contact 2 A / 250V AC potential-free
 Type of protection IP66 in accordance with DIN EN 60529
 Maintenance none



**A3 or A4
Round housing**
 Order code
DF23AnCnG2EM2V

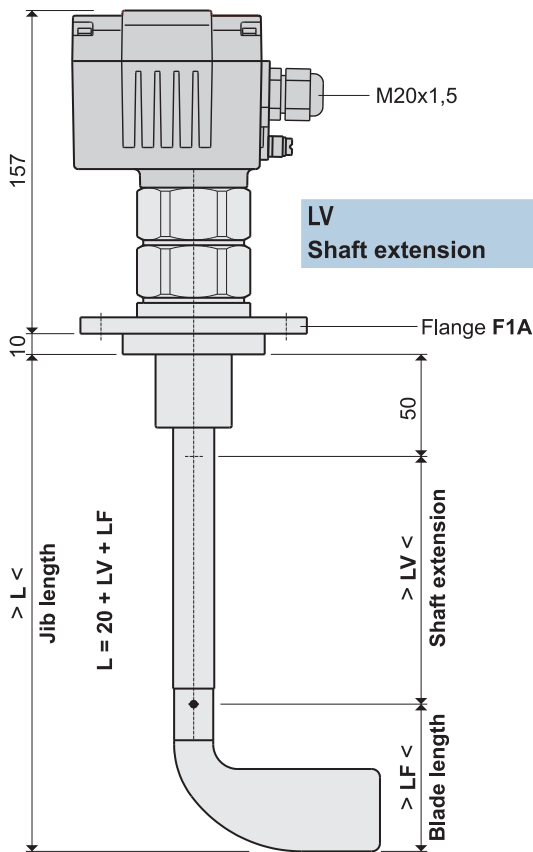
001-0112

**A1 or A2
Compact housing**
 Order code
DF23AnCnG2AM2V



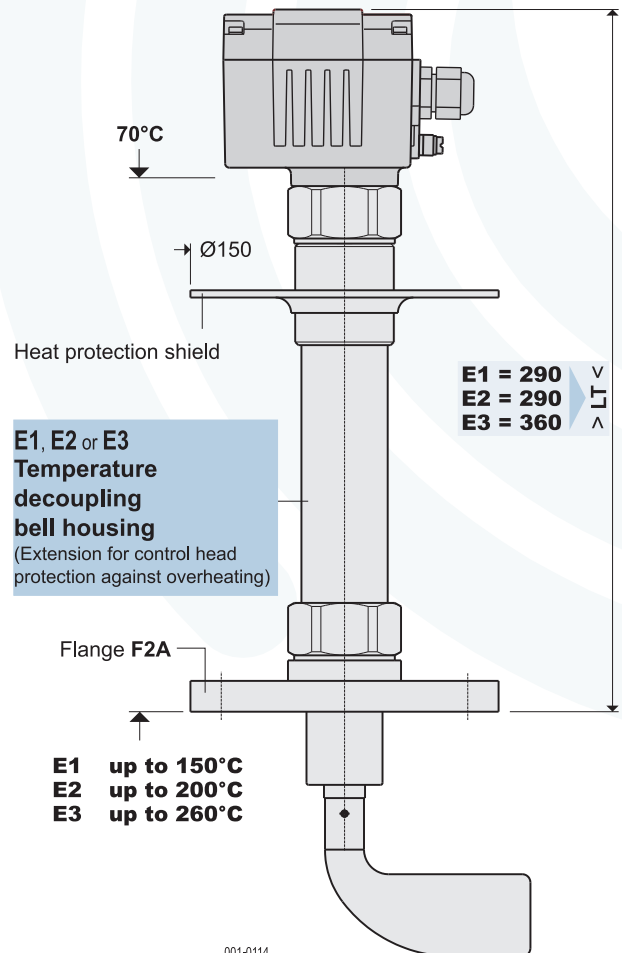
001-0111

You will find further technical details under appliance information DF-GI-...



**LV
Shaft extension**

001-0113



**E1, E2 or E3
Temperature decoupling bell housing**
 (Extension for control head protection against overheating)

**E1 up to 150°C
 E2 up to 200°C
 E3 up to 260°C**

001-0114

4 housing versions to choose

Housing selection
 A1 **Standard** Compact aluminium housing ... **CE** conform and **ATEX Dust**
 A2 Stainless steel compact housing ... **CE** conform and **ATEX Dust**
 A3 Aluminium round housing **ATEX** **II 2G Ex db IIC T6** **GES+Dust**
 A4 Stainless steel round housing **ATEX** **II 2G Ex db eb IIC T6** **GES+Dust**

Choice of options with

Certifications, certificates, approvals

- B0 Standard** = **CE** conform and **IP66**
- B1** ATEX **II 1/2D Ex ta/tb IIC T80°C Dust**
- B2** ATEX **II 1D Ex ta IIC T70°C Dust** ^{D2)}
- B3** ATEX **II 1/3D Ex ta/tc IIB T80°C Dust** ¹⁾
- B9** Further approvals on request

Supply voltage / Supply

- C1** 220...240V AC (50...60Hz)
- C2** 110...120V AC (50...60Hz)
- C3** 48V AC (50...60Hz)
- C4** 24V AC (50...60Hz)
- C5** 24V DC
- C6** 12V DC
- C7** 48V DC
- C9** Special voltages on request

Self-monitoring

- D0 Standard** = without monitoring
- D1** Function monitoring
- D2** Voltage monitoring

Signal lamps¹⁾

- H0 Standard** = with function LEDs
- H1** Collar for function LEDs
- H2** Signal lamp, LED green
- H8** Large signal lamp, LED green

Bulk goods temperature / T_(process)

- E0 Standard** = -25°C...+80°C ²⁾ ..
- E1** -40°C...+150°C only with **R7**
- E2** -25°C...+200°C only with **R7**
- E3** -25°C...+260°C only with **R7**
- E7** Device heating 2.5 Watt

Container pressure / p_(process)

- P0 Standard** = -0.5...5 bar ³⁾
- P1** -0.5 bar...10 bar
- P2** -0.95 bar...25 bar ⁴⁾
- P6** -0.9 bar...10 bar
- P7** -0.9 bar...10 bar ⁵⁾

Process connection

- G2** Thread **G1¼** DIN/ISO 228 **X** **X**
- G3** Thread **G1½** DIN/ISO 228 **X** **X**
- G4** Thread **G2** DIN/ISO 228 **X** **X**
- F1** Flange **F70** Ø110, 4xØ9/Ø90 **X** **X**
- F2** Flange **F100** 150x150, 4xØ18/Ø170 **X** **X**
- F6** Flange **DN100 PN 6** **X** **X**
- F9** Other flanges on request

Material of process connection

- A** Aluminium
- E** Stainless steel 1.4301 / 304 **Z** Bearing in stainless steel
- X** Other materials on request
- add as suffix to selected connection e.g. **G4EZ**

Measuring blade

- M0** without measuring blade
- S2** Socket blade 130x30 inclined .. **X** **X**
- SG** Socket blade 120x8
- M2** Socket blade 90x40 **X** **X**
- T1** Blade T50 98x50 **X** **X**
- M9** Other measuring blades.... on request

Blade reinforcement

- without reinforcement
- V** with reinforcement

Jib extension

- Standard** = Shaft length (LV0000 not app^l)
- LV** Shaft extension, reinforced shaft

0 0 0 0 enter required length, up to max. 2000 mm in 100 mm steps

Standard with

- R6** Seal ring in NBR black suitable for the majority of bulk goods
- Options** only for special applications:
- R7** Seal ring in PTFE, white FDA
- R9** Other seal rings on request

Measuring blade passes through tight hole of:

- G2, G3, G4** and all flanges
- G2, G3, G4** and all flanges
- G3, G4** and all flanges
- F2, F6, F7**

All larger dimensioned blades **can not** be inserted through the tight holes and must be mounted from the inside.

Accessories

- SH** Weather protection hood in PVC, RAL 7001 Certified only for zone 22 and in non-hazardous areas
- | | | |
|---|----------|----------|
| SM2 Hexagonal nut G1¼ | X | X |
| SM3 Hexagonal nut G1½ | X | X |
| SM4 Hexagonal nut G2 | X | X |
- Material of nuts**
- A** Aluminium
- E** Stainless steel 1.4301 / 304
- KV1** 2. Standard cable gland
- KV2** 2. Ex cable gland

Delivery from Stock

ordered until 12⁰⁰ - dispatched at 16⁰⁰

D2) delivery only together with **D2** or **D1**

- 1) **not** available together with **B1, B2, A3** and **A4**
- 2) max. bulk goods temperature at **B2** = -20°C...+45°C
- 3) container pressure at **B1, B2** and **B3** = -0,08bar...+0,08bar (-80...+80mbar)
- 4) with area separating element **DF-P2** (gas-tight and leakproof)
- 5) with pressure decoupling bell housing **DF-P7** (pressure separating)
- 5) **!!!** usage for differences in pressure within ATEX areas **!!!**

€ Prices on request



B0, D0, H0, E0, P0 and **M0** are **not needed** for order code

DF23

Order code